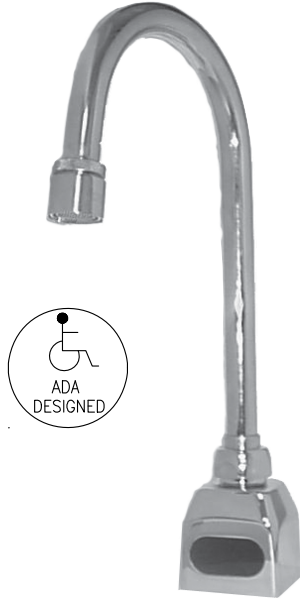




AquaSense Sensor Faucet

Suffix Options (Check/Specify Appropriate Options)



- _____ -ADM Above Deck Mixer
- _____ -ADM-1 Above Deck Mixer w/4" Cover Plate
- _____ -ADM-2 Above Deck Mixer w/8" Cover Plate
- _____ -CP4 Cover Plate 4[102] Centers
- _____ -CP8 Cover Plate 8[203] Centers
- _____ -F 0.5 GPM Vandal Resistant Aerator
- _____ -FC Flow Control in Base of Spout
- _____ -GA 3-1/2" Gooseneck Spout
- _____ -GC 8" Gooseneck Spout
- _____ -GEN Hydro Generator
- _____ -H4 Wrist Blade Handle for ADM
- _____ -IA3 Inlet Adaptor (3/8"[10] compression)
- _____ -J 1.5 GPM Laminar Flow
- _____ -K 1.0 GPM Laminar Flow
- _____ -L 1.0 GPM Vandal-Resistant Aerator
- _____ -MJ Mini Junction Box
- _____ -MT Mixing Tee
- _____ -MV Temperature Mixing Valve
- _____ -SH Supply Hoses for Mixing Valve
- _____ -SSH Single Supply Hose
- _____ -SO Rosette Spray Aerator
- _____ -TMV Thermostatic Mixing Valve for Multiple Faucets
- _____ -TMV-1 Thermostatic Mixing Valve for Single Faucets
- _____ Other

Z6920 AquaSense Battery Powered Faucet

ENGINEERING SPECIFICATION: The Z6920 sensor faucet is a battery powered sensor faucet for retrofit and new construction. The faucet incorporates an infrared convergence type proximity sensor into the cast brass chrome plated base of the gooseneck faucet. The faucet is furnished complete with sensor module, spout module and in-line filter, 4 "AA" batteries, a 1.5 GPM vandal resistant aerator and an inlet for a 1/2"[13] ball riser supply hose. Sensor range is factory set for optimum performance.

Z6920-ACA AquaSense Plug-In Powered Faucet

ENGINEERING SPECIFICATION: The Z6920-ACA sensor faucet is a plug-in powered electronic sensor faucet for retrofit and new construction. The faucet incorporates an infrared convergence type proximity sensor into the cast brass chrome plated base of the gooseneck faucet. The faucet is furnished complete with sensor module, spout module, in-line filter, a 1.5 GPM vandal resistant aerator, 6 VDC plug-in power converter and an inlet for a 1/2"[13] ball riser or supply hose. Also included are 4 'AA' batteries that provide battery backup power to the faucet during power outages. Sensor range is factory set for optimum performance.

Z6920-CWB AquaSense Hardwire Powered Faucet

ENGINEERING SPECIFICATION: The Z6920-CWB sensor faucet is a hardwired electronic sensor faucet for retrofit and new construction. The faucet incorporates an infrared convergence type proximity sensor into the cast brass chrome plated base of the gooseneck faucet. The faucet is furnished complete with sensor module, spout module, in-line filter, a 1.5 GPM vandal resistant aerator, connecting wire to power converter and an inlet for a 1/2"[13] ball riser or supply hose. Also included are 4 'AA' batteries that provide battery backup power to the faucet during power outages. Sensor range is factory set for optimum performance.

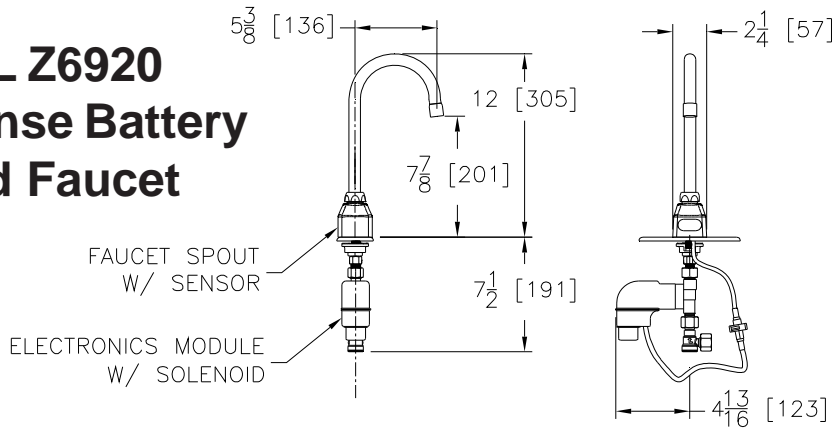
NOTE: For Hardwire applications furnish P6000-HW6 power converter. The P6000-HW6 will power up to 8 sensor faucets. Order P6000-HW6 power converter seperately.

ZURN INDUSTRIES, LLC. ♦ COMMERCIAL BRASS OPERATION ♦ 5900 ELWIN BUCHANAN DRIVE ♦ SANFORD NC 27330

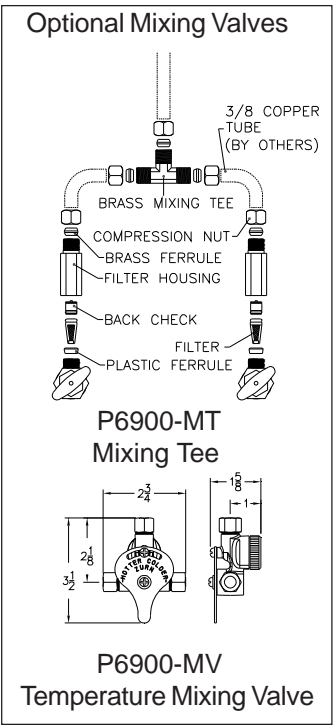
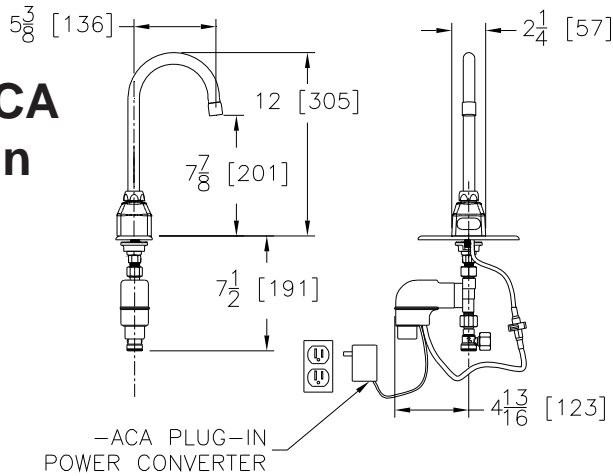
Phone: 1-800-997-3876 ♦ Fax: 919-775-3541 ♦ World Wide Web: www.zurn.com

In Canada: ZURN INDUSTRIES LIMITED ♦ 3544 Nashua Drive ♦ Mississauga, Ontario L4V1L2 ♦ Phone: 905-405-8272 Fax: 905-405-1292

TYPICAL Z6920 AquaSense Battery Powered Faucet

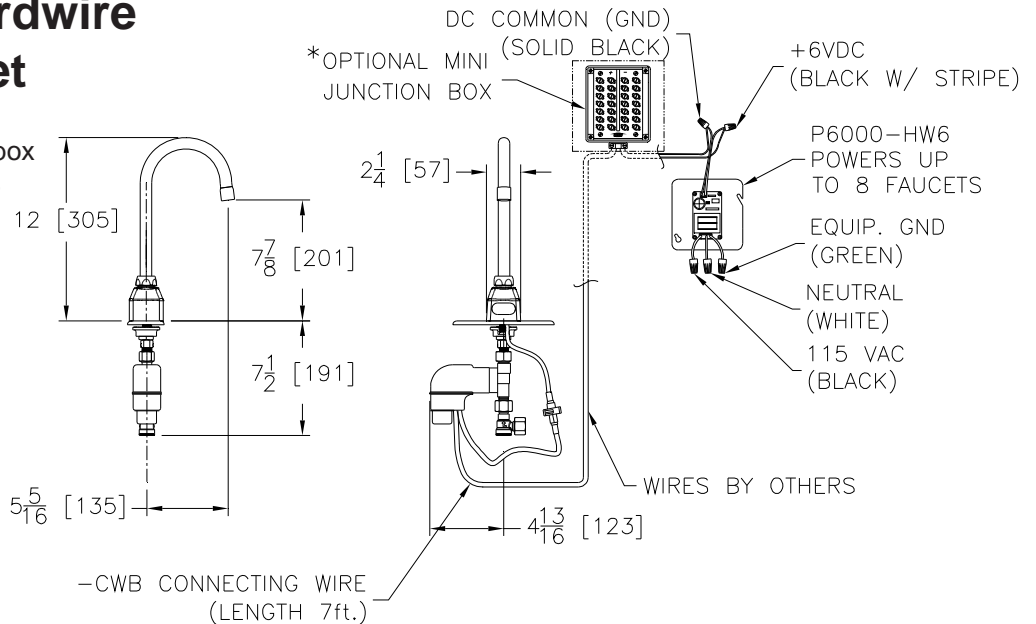


TYPICAL Z6920-ACA AquaSense Plug-In Powered Faucet



TYPICAL Z6920-CWB AquaSense Hardwire Powered Faucet

Optional:
* Optional -MJ mini junction box for connecting up to 8 faucets



NOTE: MUST USE EITHER ZURN P6000-HW6 HARDWIRE POWER CONVERTER OR ZURN P6900-ACA PLUG-IN POWER CONVERTER TO ENSURE PROPER OPERATION. USING A POWER CONVERTER OTHER THAN ZURN MAY RESULT IN OPERATION MALFUNCTION OR UNIT FAILURE.

ZURN INDUSTRIES, LLC. ♦ COMMERCIAL BRASS OPERATION ♦ 5900 ELWIN BUCHANAN DRIVE ♦ SANFORD NC 27330
Phone: 1-800-997-3876 ♦ Fax: 919-775-3541 ♦ World Wide Web: www.zurn.com
In Canada: ZURN INDUSTRIES LIMITED ♦ 3544 Nashua Drive ♦ Mississauga, Ontario L4V1L2 ♦ Phone: 905-405-8272 Fax: 905-405-1292