



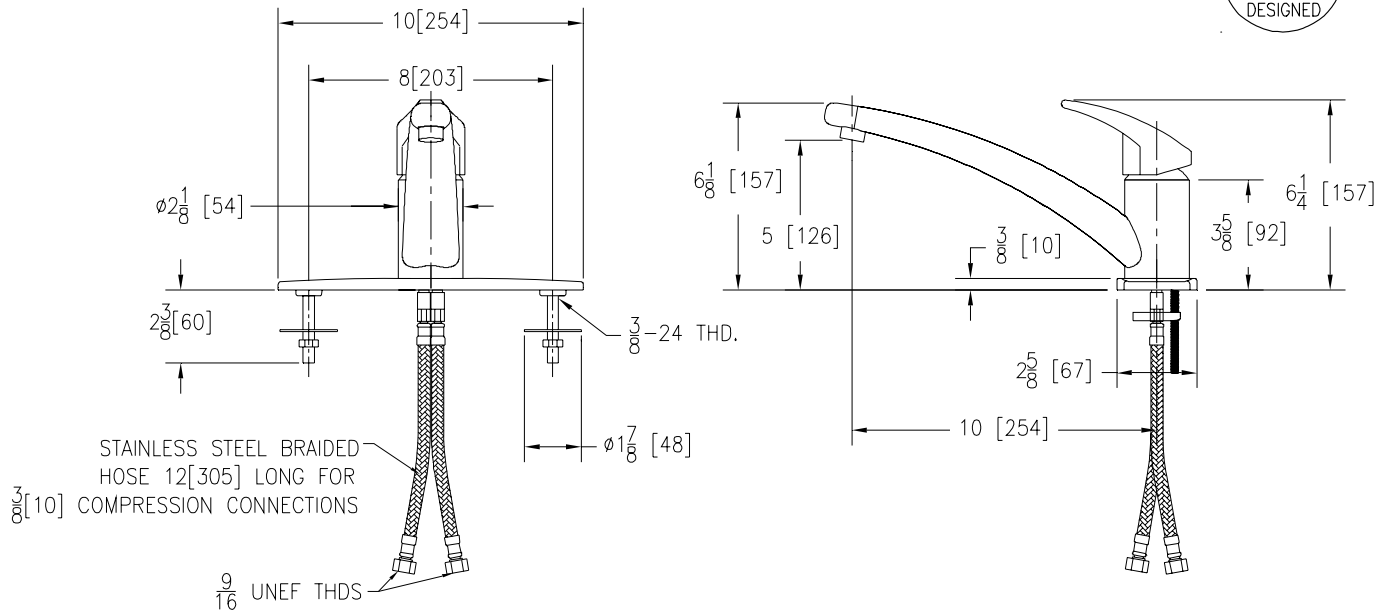
SINGLE CONTROL FAUCET

Z82300-CP8

TAG _____

Engineering Specification: Zurn AquaSpec® Z82300-CP8

Polished chrome plated cast brass single control kitchen faucet with an integral 10" [245mm] cast swing spout, a ceramic disc cartridge and a temperature limit stop. Unit is furnished with a 2.2 GPM [8.3L] pressure compensating aerator (Complying with ANSI A112.18.1 Standard for flow), 8" [203] centers, cast metal chrome plated cover, a metal ADA compliant lever handle, stainless steel flex connection hoses and mounting hardware.



Note: All dimensions are for reference only. Do not use for pre-plumbing

OPTIONAL ACCESSORIES

Suffix	Description
___ -CST	Copper Supply Tubes
___ -HS	Hose and Spray
___ -HS6	6' [183cm] Hose and Spray
___ -2M	2.2 GPM [8.3 L] Vandal-Resistant Pressure Compensating Male Aerator
___ -3M	0.5 GPM [1.9 L] Vandal-Resistant Pressure Compensating Male Aerator
___ -4M	2.2 GPM [8.3 L] Vandal-Resistant Pressure Compensating Male Laminar Flow
___ -7M	1.0 GPM [3.8 L] Pressure Compensating Male Spray Outlet
___ -16M	1.0 GPM [3.8 L] Vandal-Resistant Pressure Compensating Male Spray Outlet
___ -17M	1.5 GPM [5.7 L] Vandal-Resistant Pressure Compensating Male Aerator
___ -18FH	18" [457mm] S.S. Braided Flex Hoses
___ -18M	1.5 GPM [5.7 L] Vandal-Resistant Pressure Compensating Male Laminar Flow

ZURN INDUSTRIES, INC. ♦ COMMERCIAL BRASS OPERATION ♦ 2640 SOUTH WORK STREET ♦ FALCONER NY 14733

Phone: 1-716-665-1132 ♦ Fax: 1-716-665-1135 ♦ World Wide Web: www.zurn.com

In Canada: ZURN INDUSTRIES LIMITED ♦ 3544 Nashua Drive ♦ Mississauga, Ontario L4V1L2 ♦ Phone: 905/405-8272 Fax: 905/405-1292