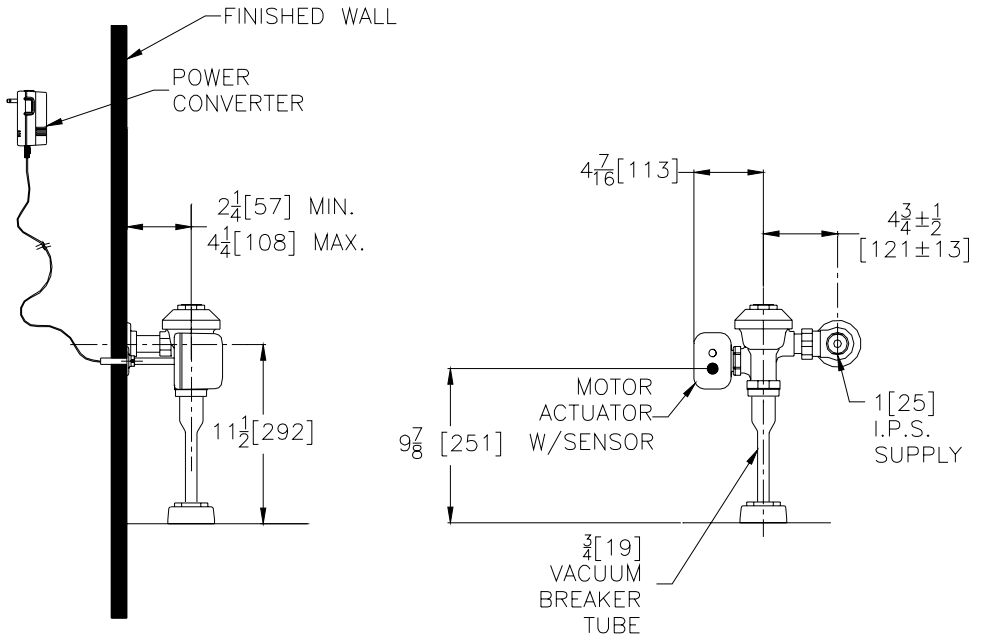




Exposed ZEMS6003-IS Model Hardwired Automatic Sensor Flush Valve For 3/4" Urinals



Flow Options

- WS1** 1.0 Gal. Low Consumption
- Standard Flush** 1.5 Gallons Per Flush

Suffix Options (Check/Specify Appropriate Options)

- _____ **-VC** Vandal Resistant Stop Cover
- _____ **-YB** Sweat Solder Kit
- _____ **-YC** Cast Wall Flange
- _____ **-YJ** Split Ring Pipe Support
- _____ **-YK** Solid Ring Pipe Support
- _____ **-YO** Bumper on Angle Stop
- _____ Other

Accessories (Order separate as specified)

- PESS6000-BB** Battery Back-up (Up to 8 valves)
- P6000-PC6** 6VDC Plug-in Power Converter (Up to 8 valves)
- P6000-MJ** Mini Junction Box
- P6000-HW6** Hardwire Power Converter (Up to 8 valves)

ENGINEERING SPECIFICATION: ZURN ZEMS6003-IS AquaFlush Exposed Hardwired Automatic Sensor Flush Valve For 3/4" Urinals-

Exposed, quiet diaphragm-type, chrome plated, flushometer valve with a polished exterior. Complete with a chloramine resistant, dual seal diaphragm with a clog resistant by-pass. The valve incorporates a 6 VDC motorized actuator, an integral infrared convergence-type proximity sensor and a manual push-button override into an all-metal, polished chrome plated housing. Sensor range automatically adjusts to its environment at power up and is powered by a 6 VDC power converter. Each power converter can accommodate up to eight flush valves. The valve is complete with high back pressure vacuum breaker, one piece hex coupling nut, adjustable tailpiece, spud coupling and flange for top spud connection. Control stop has internal siphon-guard protection. Internal seals are made of chloramine resistant materials.

- ZEMS6003PL-IS - Aquaflush Plus** is furnished as specified above and includes sweat solder kit, vandal resistant stop cap, and cast wall flange with set screw. **Complete with a chloramine resistant, dual seal diaphragm with a clog resistant by-pass.**

This space is for Architectural/engineering Approval

ZURN INDUSTRIES, INC. • COMMERCIAL BRASS OPERATION • 5900 ELWIN BUCHANAN DRIVE • SANFORD NC 27330

Phone: 1-800-997-3876 • Fax: 919-775-3541 • World Wide Web: www.zurn.com

In Canada: ZURN INDUSTRIES LIMITED • 3544 Nashua Drive • Mississauga, Ontario L4V1L2 • Phone: 905-405-8272 Fax: 905-405-1292