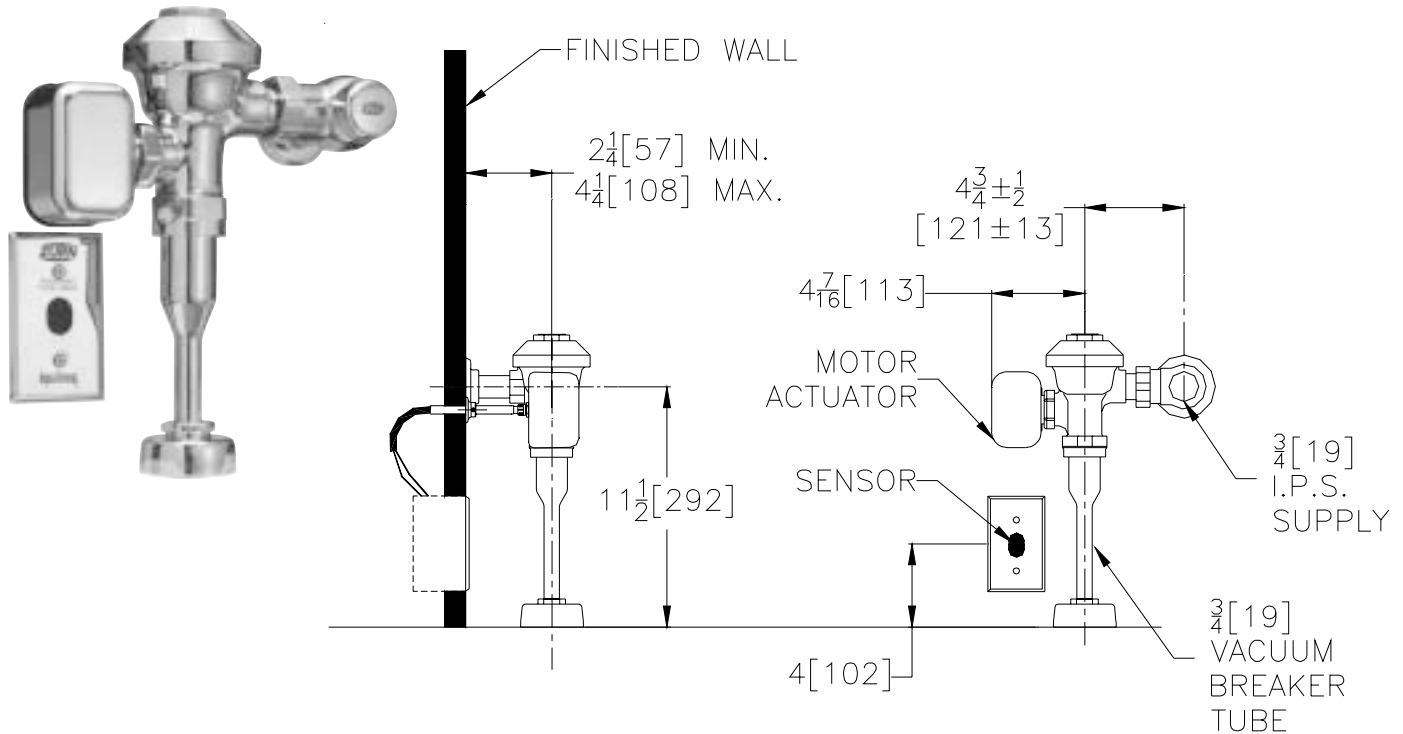




Exposed ZEMS6003AV Model For 3/4" Urinals



Flow Options

- WS1 1.0 Gal. Low Consumption
- Standard Flush 1.5 Gallons Per Flush

Suffix Options (Check/Specify Appropriate Options)

- _____ -VP Vandal Resistant Stop Screw
- _____ -YJ Split Ring Pipe Support
- _____ -YK Solid Ring Pipe Support
- _____ Other

Accessories (Order separate as specified)

- PESS6000-BB** Battery Back-up (Up to 8 valves)
- P6000-PC6** 6VDC Plug-in Power Converter (Up to 8 valves)
- P6000-MJ** Mini Junction Box
- P6000-HW6** Hardwire Power Converter (Up to 8 valves)

This space is for Architectural/engineering Approval

ENGINEERING SPECIFICATION: ZURN ZEMS6003AV AquaSense® AV' Exposed Hardwired Automatic Sensor Flush Valve For 3/4" Urinals-

Exposed, quiet diaphragm-type, chrome plated, flushometer valve with a polished exterior. Complete with Zurn's AquaVantage® TPE, chloramine resistant, dual seal diaphragm with a clog resistant, triple filtered by-pass. The valve incorporates a 6 VDC motorized actuator, an automatic sensor with a high back pressure vacuum breaker, one piece hex coupling nut, adjustable tailpiece, spud coupling and flange for top spud connection. Switchable sensor features include: courtesy flush, automatic 8 hour flush, and diagnostic indicator lights. Control stop has internal siphon-guard protection, vandal resistant stop cap, sweat solder kit, and a cast wall flange with set screw. Internal seals are made of chloramine resistant materials. Electrical box by others (see installation instructions for type and size). Note: Order power converter separate, one power converter operates up to eight valves.

NOTE: MUST USE EITHER ZURN P6000-HW6 HARDWIRE POWER CONVERTER OR ZURN P6000-PC6 PLUG-IN POWER CONVERTER TO ENSURE PROPER OPERATION. USING A POWER CONVERTER OTHER THAN ZURN MAY RESULT IN OPERATION MALFUNCTION OR UNIT FAILURE.