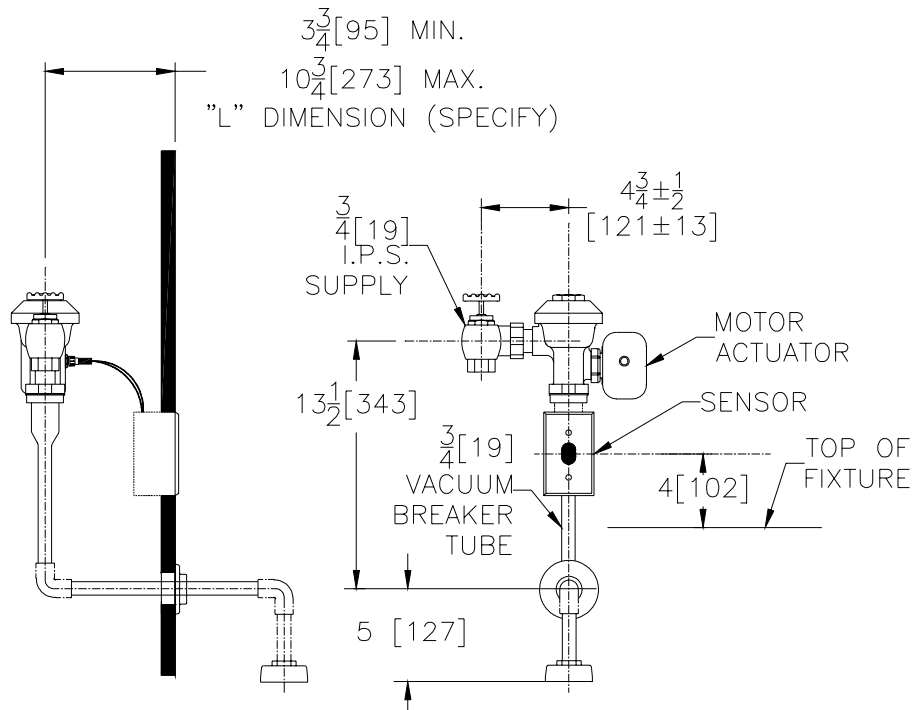


Concealed ZEMS6197AV Model Hardwired Automatic Sensor Flush Valve For 3/4" Urinals With Top Spud Connection



Flow Options

- WS1 1.0 Gal. Low Consumption
- Standard Flush 1.5 Gallons Per Flush

Suffix Options (Check/Specify Appropriate Options)

- _____ -BB Battery Back-up
- _____ -HW6 120VAC/6VDC Hardwired Power Converter
- _____ -MJ Mini Junction Box
- _____ -PC6 120VAC/6VDC Plug-In Power Converter
- _____ Other

This space is for Architectural/engineering Approval

ENGINEERING SPECIFICATION: ZURN ZEMS6197AV AquaSense® Concealed Hardwired Automatic Sensor Flush Valve for 3/4"[19] Urinals-

Concealed, quiet diaphragm-type, rough brass, flushometer valve with Zurn's AquaVantage TPE, chloramine resistant, dual seal diaphragm with a clog resistant triple filtered by-pass orifice. The valve incorporates a 6 VDC motorized actuator, an automatic sensor with a manual pushbutton over-ride, high back pressure vacuum breaker, hex coupling nut and adjustable tailpiece, spud coupling for top spud connection. Switchable sensor features include: courtesy flush, automatic 8 hour flush, and diagnostic indicator lights. Control stop has internal siphon-guard protection and sweat solder kit. Internal seals are made of chloramine resistant materials. Electrical box by others (see installation instructions for type and size). Note: Order power converter separate, one power converter operates up to eight valves.