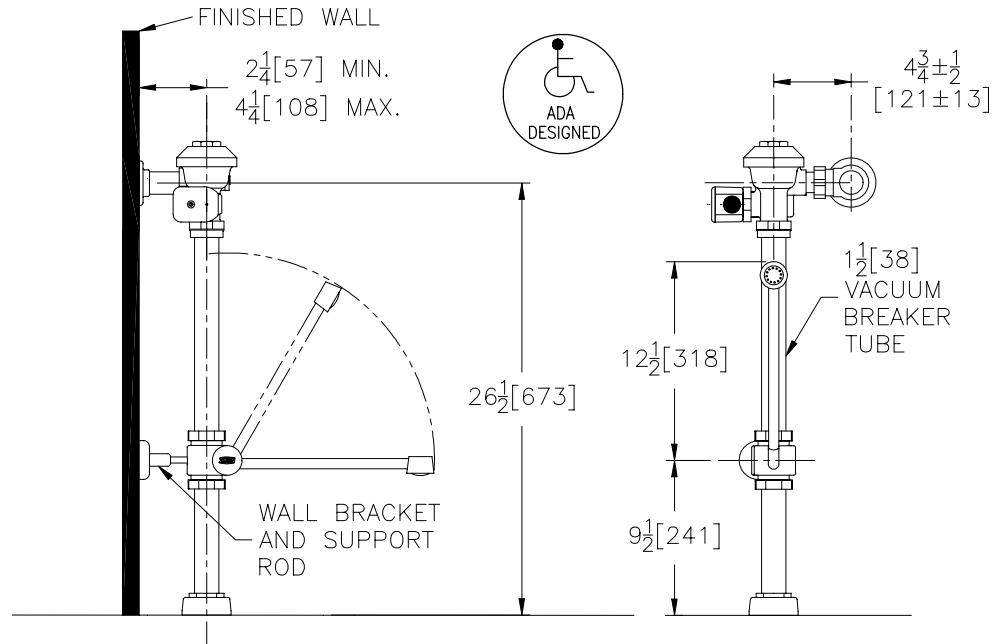




Exposed ZR6000AV-BWN Model Battery Powered Sensor Operated with Bedpan Washer for Water Closets



Flow Options

- | | | |
|--------------------------|----------------|--------------------------|
| <input type="checkbox"/> | -WS1 | 1.6 Gal. Low Consumption |
| <input type="checkbox"/> | -FF | 4.5 Gal. Full Flush |
| <input type="checkbox"/> | Standard Flush | 3.5 Gallons Per Flush |

Suffix Options (Check/Specify Appropriate Options)

- | | | |
|-------|-----|-------------------------|
| _____ | -YH | One Wall Bumper |
| _____ | -YJ | Split Ring Pipe Support |
| _____ | -YK | Solid Ring Pipe Support |
| _____ | | Other |

ENGINEERING SPECIFICATION: ZURN ZR6000AV-BWN AquaSense® 'AV' Battery Powered Sensor Operated Exposed Closet Flush Valve with Bedpan Washer- Exposed, quiet diaphragm-type, chrome plated, flushometer valve with a polished exterior. Complete with Zurn's AquaVantage® TPE, chloramine resistant, dual seal diaphragm with a clog resistant by-pass. The valve is ADA compliant with a 6VDC solenoid valve actuation, a battery powered automatic sensor with manual push button override, a brass electronics housing with polished chrome exterior, bedpan washer assembly, wall bracket and support rod, high back pressure vacuum breaker, one piece hex coupling nut, adjustable tailpiece, spud coupling and flange for top spud connection. Control stop has internal siphon-guard protection, vandal resistant stop cap, sweat solder kit, and a cast wall flange with set screw. Internal seals are made of chloramine resistant materials.

This space is for Architectural/engineering Approval

ZURN INDUSTRIES, INC. • COMMERCIAL BRASS OPERATION • 5900 ELWIN BUCHANAN DRIVE • SANFORD NC 27330

Phone: 1-800-997-3876 • Fax: 919-775-3541 • World Wide Web: www.zurn.com

In Canada: ZURN INDUSTRIES LIMITED • 3544 Nashua Drive • Mississauga, Ontario L4V1L2 • Phone: 905-405-8272 Fax: 905-405-1292