



Z5561

1.0 gpf Pressure Assist, ADA Height, TAG _____
Elongated, Two-Piece Toilet



Z5561

Z5561 Series

- 1.0 gpf (gallons per flush)
- High Efficiency Toilet (HET) reduces potable water usage over 30%
- Vitreous china
- Pressure assisted tank
- High performance EcoFlush™ technology
- Easy touch handle actuation
- Ultra quiet flush
- Siphon jet flush action
- ADA height
- 2-1/8" fully glazed trapway
- Operating pressure range 20-125 psi
- Elongated front rim
- Chrome plated handle
- Large water surface area
- Includes bolt caps
- Shipping weight: 92 lbs.

Suffix Options:

____ -RH Vitreous China right-hand lever tank

Please Note: HET dual flush 1.6 gpf/ 1.0 gpf pressure assist tank also available. See Model Z5562.

Recommended Trim:

- Z5972-COMB**
Closet bolt & wax ring kit.
- Z5958SS-EL**
Elongated, white, closed front toilet seat with cover & stainless steel check hinge.
- Z8800-CR**
Standard stop with flexible closet riser.

Optional Trim:

- Z5975-FLO-JR**
PVC Flo-Bowl Jr. closet flange kit

Engineering Specification:

- Z5561** Vitreous china, High Efficiency 1.0 gpf / 4 Lpf, Pressure Assisted Elongated ADA Height Two Piece Toilet with 12" Rough-in.

These dimensions and specifications are subject to change without notice.

Fixture dimensions meet ANSI/ASME standard A112.19.2-2003 and CAN/CSA B45 requirements.

Meets the American Disabilities Act Guidelines and ANSI A117.1 requirements when installed so that the top of seat is 17"-19" from finished floor.



This space is for Architectural/engineering Approval

See Zurn One Systems for suggested packages.

Zurn Plumbing Products Group Commercial Brass and Fixtures Operation
2640 South Work Street · Falconer, NY 14733 · Phone: 716-665-1132 · Fax: 716-665-1135 · www.zurn.com

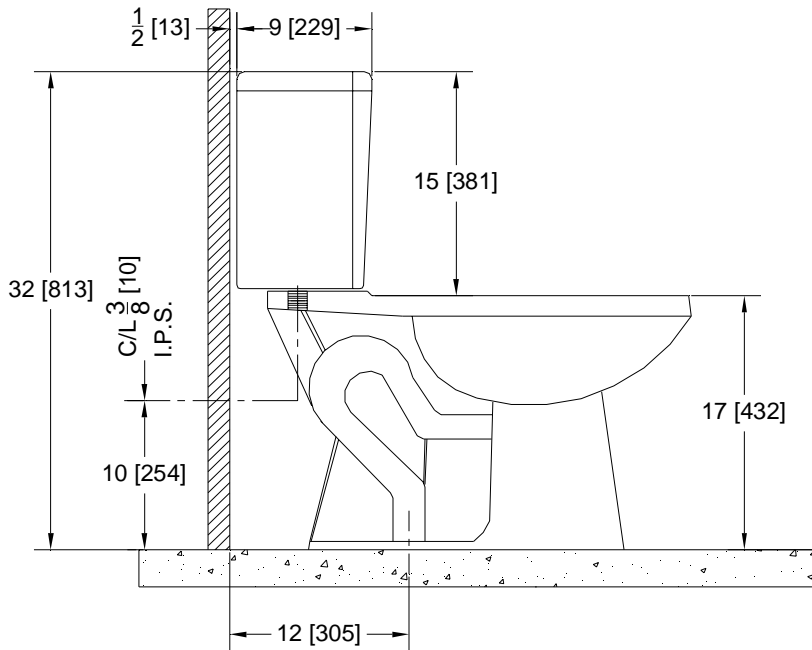
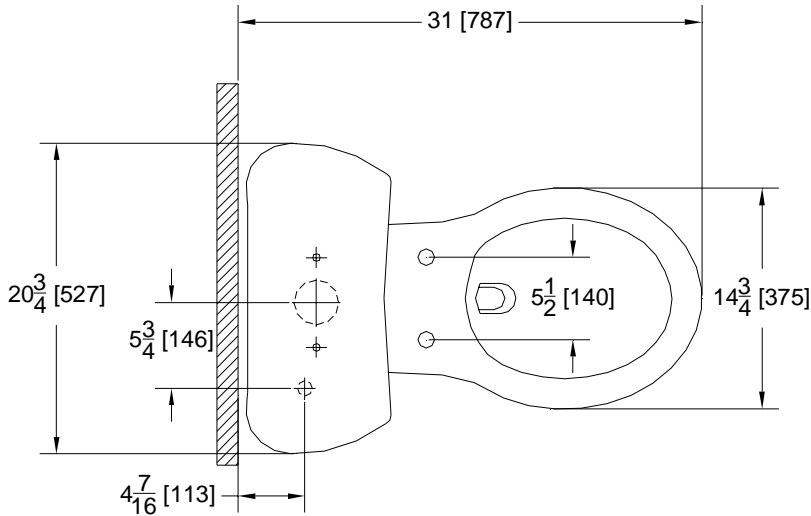


Z5561

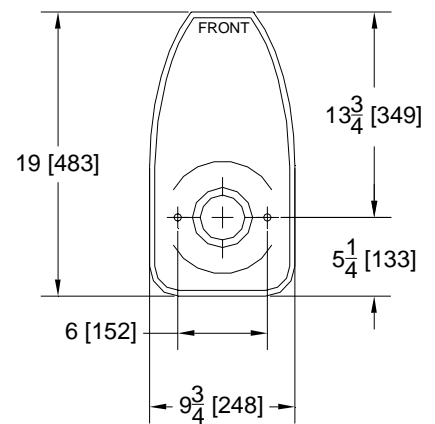
1.0 gpf Pressure Assist, ADA Height,
Elongated, Two-Piece Toilet
Rough-In

TAG _____

Rough-in dimensions for Z5561



FOOTPRINT



These dimensions and specifications are subject to change without notice.

Fixture dimensions meet ANSI/ASME standard A112.19.2-2003 and CAN/CSA B45 requirements.

Meets the American Disabilities Act Guidelines and ANSI A117.1 requirements when installed so that the top of seat is 17"-19" from finished floor.



Zurn Plumbing Products Group Commercial Brass and Fixtures Operation

2640 South Work Street · Falconer, NY 14733 · Phone: 716-665-1132 · Fax: 716-665-1135 · www.zurn.com