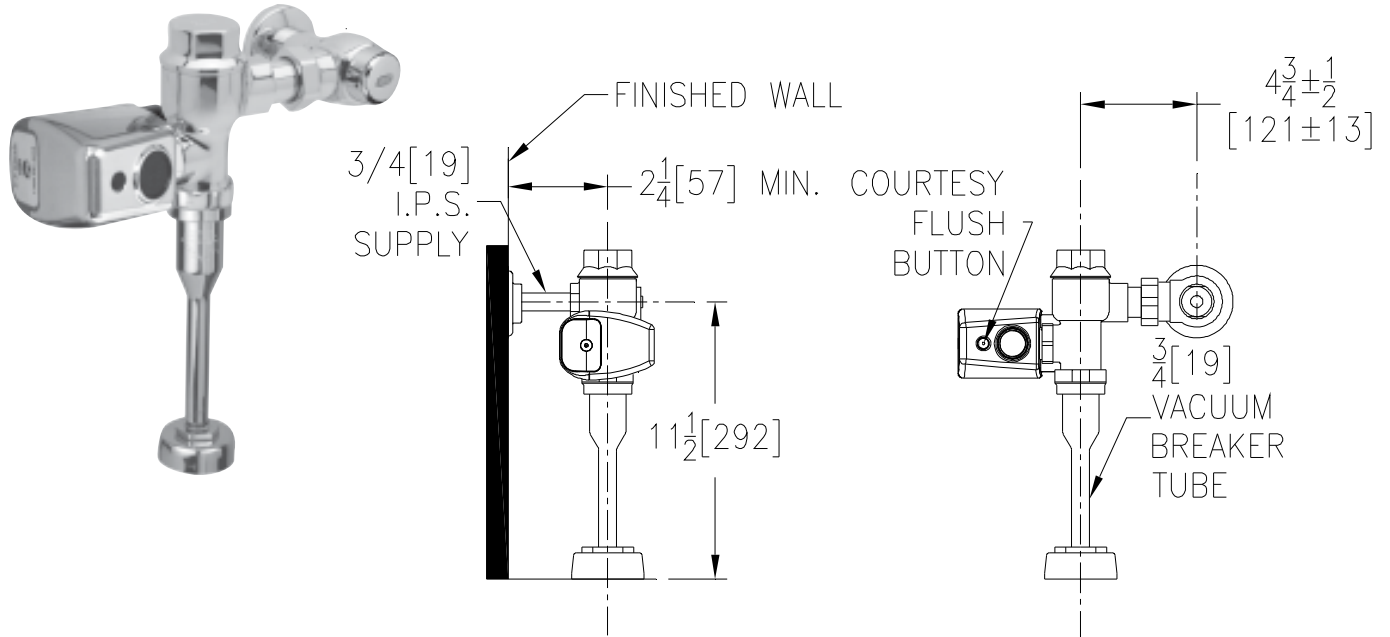




# Exposed ZER6203-CPM Model Sensor Operated Battery Powered Flush Valve Metroflush For 3/4" Urinal Valves



### Flow Options

- EWS 0.5 Gallons Per Flush
- WS1 1.0 Gal. Low Consumption Flush
- Standard Flush 1.5 Gallons Per Flush

### Suffix Options (Check/Specify Appropriate Options)

- \_\_\_\_\_ -VC Vandal Resistant Stop Cover
- \_\_\_\_\_ -XYV Less Vacuum Breaker
- \_\_\_\_\_ -YB Sweat Solder Kit
- \_\_\_\_\_ -YC Cast Wall Flange
- \_\_\_\_\_ -YJ Split Ring Pipe Support
- \_\_\_\_\_ -YK Solid Ring Pipe Support
- \_\_\_\_\_ -YO Bumper On Angle Stop
- \_\_\_\_\_ Other

### ENGINEERING SPECIFICATION: ZURN ZER6203-CPM AquaSense® Sensor Operated Battery Powered Metroflush Valve for Urinals-

The Metroflush is an exposed quiet piston type chrome plated flushometer valve with polished exterior. Complete with Zurn MetroVantage chloramine resistant piston with a clog resistant filtered by-pass. The valve is ADA compliant and incorporates a 6VDC motor acuator, a battery powered automatic sensor, high impact resistant polycarbonate housing, chrome plated metal cover with manual override push button, 10 degree angled sensor, high back pressure vacuum breaker, hex coupling nut, adjustable tailpiece, spud coupling and flange for back spud connection. Switchable sensor features include 24 hour auto flush and diagnostic indicator lights. Control stop has internal siphon-guard protection. Internal seals are made of chloramine resistant materials.

This space is for Architectural/engineering Approval