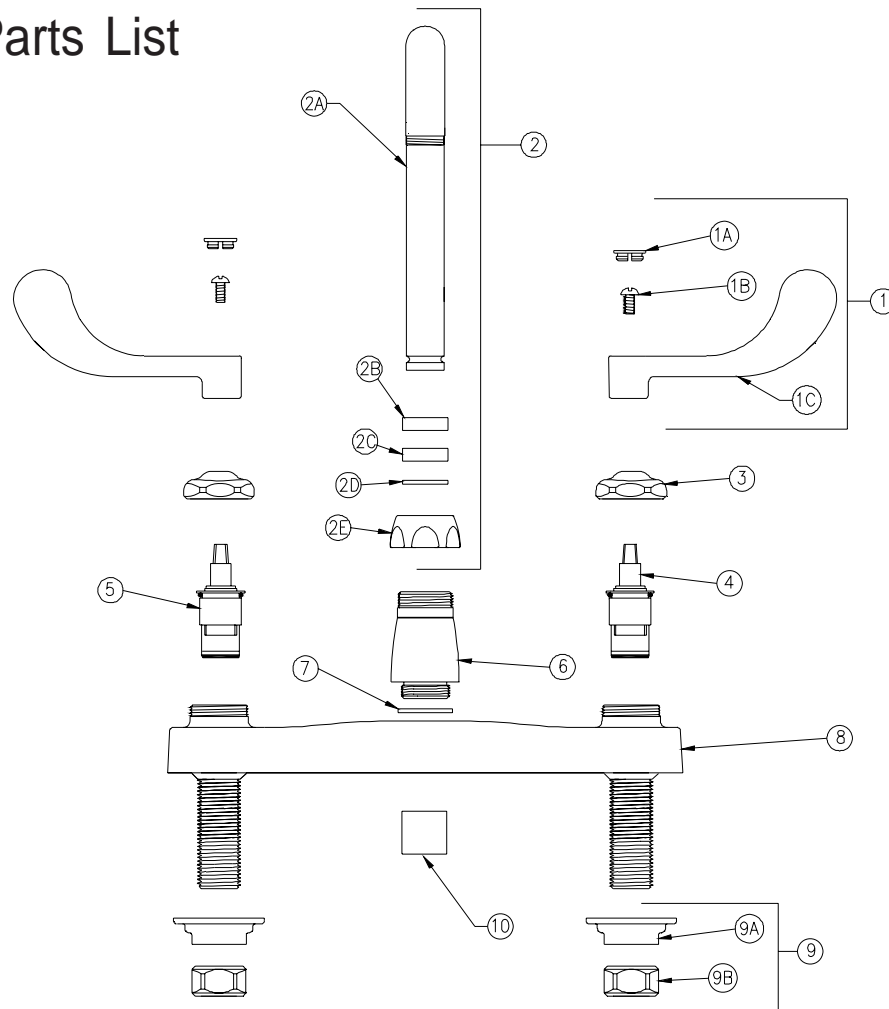


KITCHEN SINK FAUCET



Z871J4 Parts List



Item	Part Number	Description	Qty.
1	G60504	4" [102mm] Vandal-Resistant Wrist Blade Handles	1
1A	G60500	Hot/Cold Color-Coded Indexes	1
	59454001	Hot Index	1
	59454002	Cold Index	1
1B	62464001	10-32 Screw	2
1C	59453001	Wrist Blade Handle	2
2	G61077	9" Tubular 'J' Spout Assembly	1
2A	60361001	9" Tubular Swing Spout	1
2B	59441001	Bearing Washer	1
2C	59459001	Spout Seal	1
2D	59460001	Brass Retaining Ring	1
2E	59435001	Spout Nut	1
3	59440001	Handle Nut	2
4	59517001	Short Cold Cartridge	1
5	59517002	Short Hot Cartridge	1
6	60467001	Base	1
7	58155019	O-Ring	1
8	60545001	Kitchen Deck Body	1
9	G60502	Mounting Hardware	1
9A	59530002	Mounting Nut	2
9B	59532001	1/2" NPSM Riser Nut	2
10	G63504	3/4"-27 Female Aerator - 2.2 GPM [8.3 L]	1

ZURN INDUSTRIES, LLC ♦ COMMERCIAL BRASS OPERATION ♦ 2640 SOUTH WORK STREET ♦ FALCONER NY 14733

Phone: 1-716-665-1132 ♦ Fax: 1-716-665-1135 ♦ World Wide Web: www.zurn.com

In Canada: ZURN INDUSTRIES LIMITED ♦ 3544 Nashua Drive ♦ Mississauga, Ontario L4V1L2 ♦ Phone: 905/405-8272 Fax: 905/405-1292