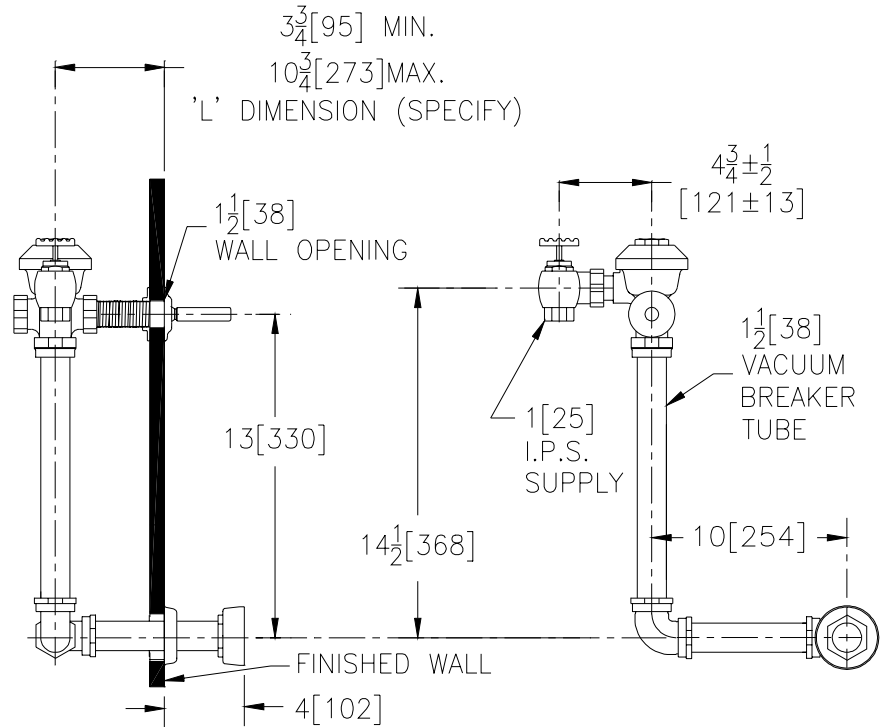




## Concealed Z6140AV Model with Exposed Back Spud Connection for Water Closets



**Flow Options**

- |                          |                       |                          |
|--------------------------|-----------------------|--------------------------|
| <input type="checkbox"/> | <b>-WS1</b>           | 1.6 Gal. Low Consumption |
| <input type="checkbox"/> | <b>-FF</b>            | 4.5 Gal. Full Flush      |
| <input type="checkbox"/> | <b>Standard Flush</b> | 3.5 Gallons Per Flush    |

**Suffix Options (Check/Specify Appropriate Options)**

- |       |            |                           |
|-------|------------|---------------------------|
| _____ | <b>-BG</b> | BioCare Handle            |
| _____ | <b>-L</b>  | 1" [25] Metal Push Button |
| _____ | <b>-L3</b> | 3" [76] Metal Push Button |
| _____ |            | Other                     |

**ENGINEERING SPECIFICATION: ZURN Z6140AV AquaVantage® 'AV' Concealed Closet Flush Valve-** Concealed, quiet diaphragm-type, rough brass flushometer valve with Zurn's AquaVantage® TPE, chloramine resistant, dual seal diaphragm with a clog resistant, triple filtered by-pass. The valve is complete with a non-hold open and no leak handle feature, high back pressure vacuum breaker, one piece hex coupling nut, adjustable tailpiece, spud coupling and flange for back spud connection. Control stop has internal siphon-guard protection, and a sweat solder kit. Internal seals are made of chloramine resistant materials.

This space is for Architectural/engineering Approval