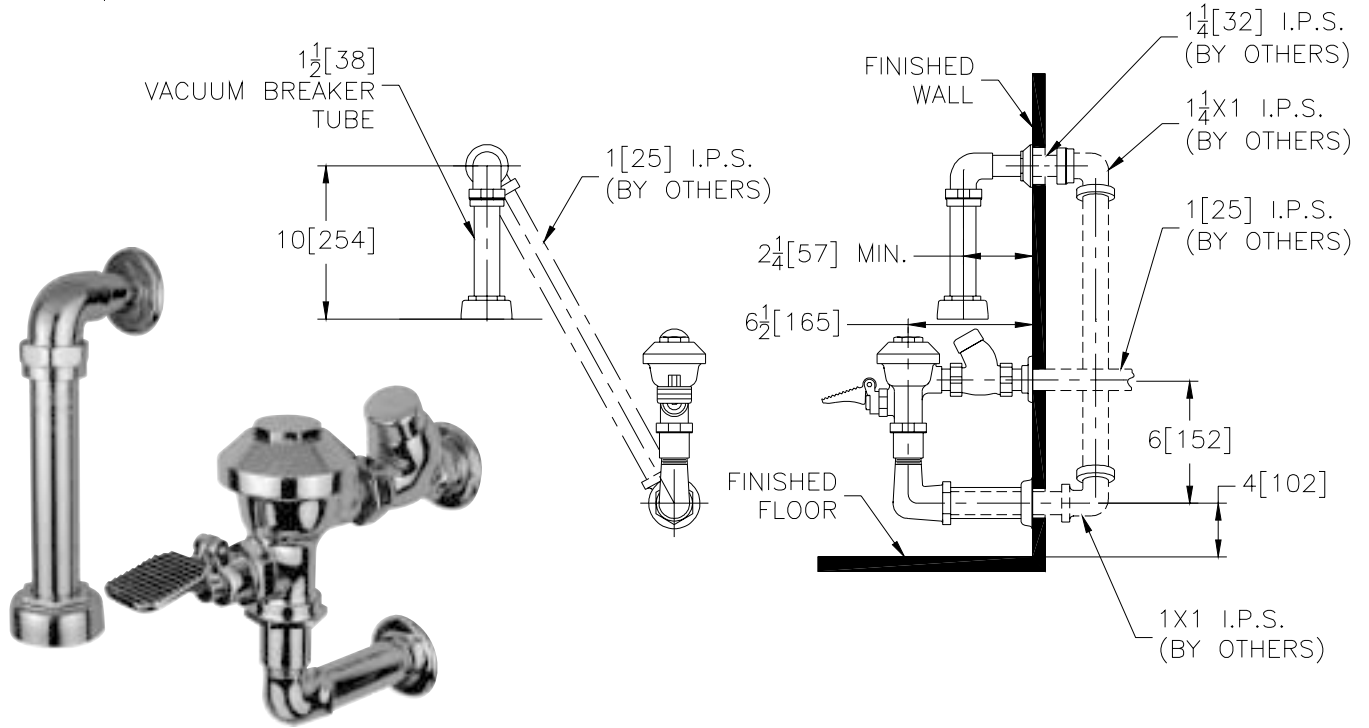




Exposed Z6310AV Model for Water Closet Valves with Foot Pedal Actuation



Flow Options

- | | | |
|--------------------------|-----------------------|--------------------------------|
| <input type="checkbox"/> | -WS1 | 1.6 Gal. Low Consumption Flush |
| <input type="checkbox"/> | -FF | 4.5 Gal. Full Flush |
| <input type="checkbox"/> | Standard Flush | 3.5 Gallons Per Flush |

Suffix Options (Check/Specify Appropriate Options)

- | | | |
|-------|------------|-------------------------|
| _____ | -YJ | Split Ring Pipe Support |
| _____ | -YK | Solid Ring Pipe Support |
| _____ | | Other |

ENGINEERING SPECIFICATION: ZURN Z-6310AV AquaVantage® 'AV' Exposed Closet Valve with Foot Pedal Actuation- Exposed, quiet diaphragm-type, chrome plated, flushometer valve with a polished exterior. Complete with Zurn's AquaVantage® TPE, chloramine resistant, dual seal diaphragm with a clog resistant, triple filtered by-pass. The valve is complete with a non-hold open foot pedal actuator assembly, high back pressure vacuum breaker, one piece hex coupling nut, adjustable tailpiece, spud coupling and flange for top spud connection. Control stop has internal siphon-guard protection, vandal resistant stop cap, sweat solder kit, and a cast wall flange with set screw. Internal seals are made of chloramine resistant materials.

This space is for Architectural/engineering Approval