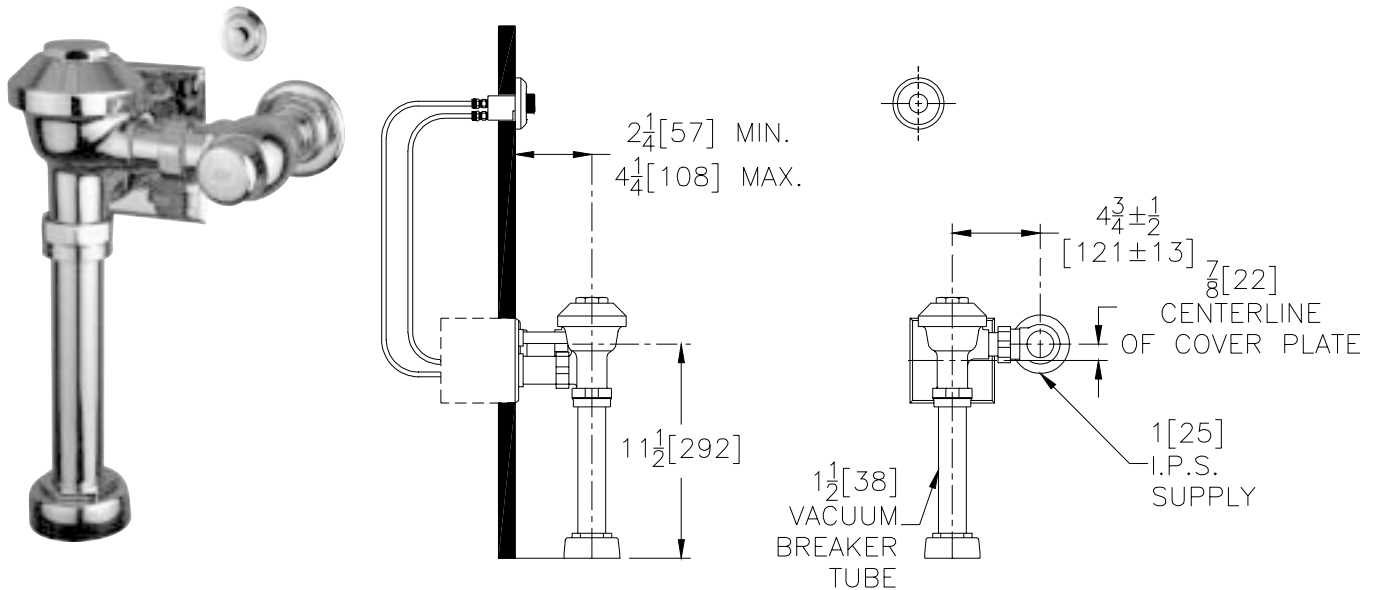




Exposed ZH6606AV-MBP Model with Hydraulic Actuation for Penal Water Closet Fixtures



Flow Options

- | | |
|---|--------------------------|
| <input type="checkbox"/> -WS1 | 1.6 Gal. Low Consumption |
| <input type="checkbox"/> -FF | 4.5 Gal. Full Flush |
| <input type="checkbox"/> Standard Flush | 3.5 Gallons Per Flush |

Suffix Options (Check/Specify Appropriate Options)

- | | |
|-----------|-------------------------|
| _____ -YJ | Split Ring Pipe Support |
| _____ -YK | Solid Ring Pipe Support |
| _____ -YO | Bumper on Angle Stop |
| _____ | Other |

ENGINEERING SPECIFICATION: ZURN ZH6606AV-MBP AquaVantage® 'AV' Exposed Penal Valve- Exposed, quiet diaphragm-type, chrome plated, flushometer valve with a polished exterior and Zurn's AquaVantage® TPE, chloramine resistant, dual seal diaphragm with a clog resistant, triple filtered by-pass. The valve is complete with a non-hold open type hydraulic push button actuator that may be located up to 36"[914] (7"[2133] with -SW option) from the valve, high back pressure vacuum breaker, one piece hex coupling nut, adjustable tail-piece, spud coupling and flange for top spud connection. Control stop has internal siphon-guard protection, vandal resistant stop cap, sweat solder kit, and a cast wall flange with set screw. Internal seals are made of chloramine resistant materials. Electrical box supplied by others. (see installation instructions for size and type)

This space is for Architectural/engineering Approval

ZURN INDUSTRIES, INC. ♦ COMMERCIAL BRASS OPERATION ♦ 5900 ELWIN BUCHANAN DRIVE ♦ SANFORD NC 27330

Phone: 1-800-997-3876 ♦ Fax: 919-775-3541 ♦ World Wide Web: www.zurn.com

In Canada: ZURN INDUSTRIES LIMITED ♦ 3544 Nashua Drive ♦ Mississauga, Ontario L4V1L2 ♦ Phone: 905-405-8272 Fax: 905-405-1292