

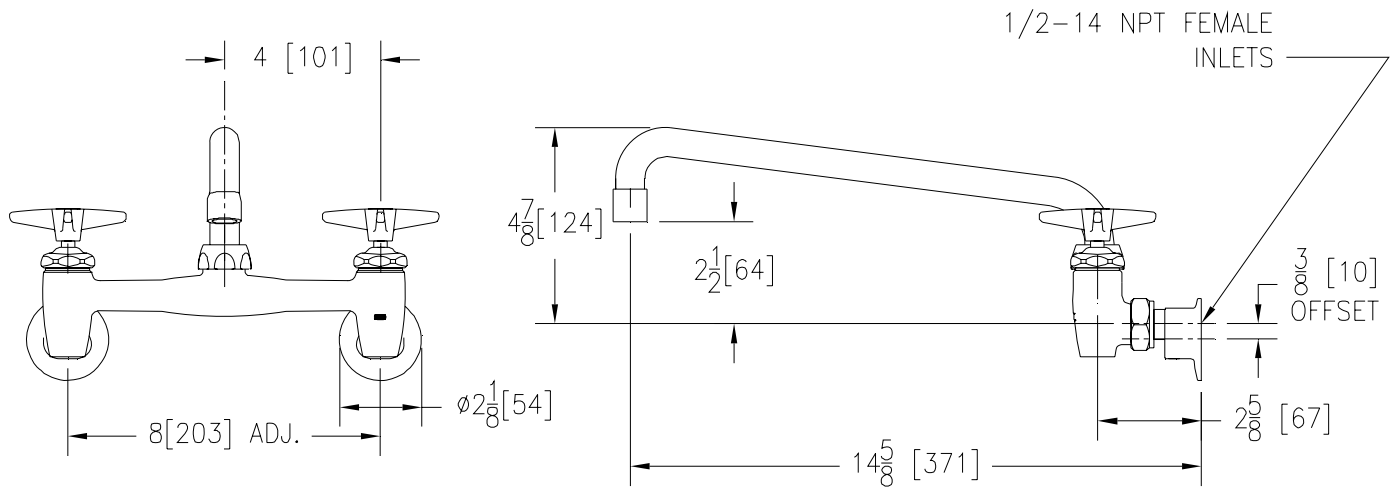


SINK FAUCET Z843H2

TAG _____

Engineering Specifications: Zurn AquaSpec® Z843H2

Polished chrome-plated cast brass 8" [203mm] sink faucet with quarter turn ceramic disc cartridges, 3/8" [10mm] short swivel inlets providing adjustable centers from 7-1/4" [184mm] to 8-3/4" [222mm], integral service stops and a 12" [305mm] tubular brass swing spout with a 2.2 GPM [8.3 L] pressure compensating aerator (complying with ANSI A112.18.1 Standard for flow). Unit is furnished with vandal-resistant color-coded metal four arm handles.



Note: All dimensions are for reference only. Do not use for pre-plumbing

OPTIONAL ACCESSORIES

| Suffix | Description |
|---------|--|
| ___-CS | Check Stops |
| ___-HCT | Hot/Cold Text Indexes |
| ___-LSI | 2-1/2" [64mm] Long Swivel Inlets |
| ___-RC | Rough Chrome Plated |
| ___-2F | 2.2 GPM [8.3 L] Vandal-Resistant Pressure Compensating Female Aerator |
| ___-3F | 0.5 GPM [1.9 L] Vandal-Resistant Pressure Compensating Female Aerator |
| ___-4F | 2.2 GPM [8.3 L] Vandal-Resistant Pressure Compensating Female Laminar Flow |
| ___-6P | Master Carton (Qty. 6) |
| ___-7F | 1.0 GPM [3.8 L] Pressure Compensating Female Spray Outlet |
| ___-16F | 1.0 GPM [3.8 L] Vandal Resistant Pressure Compensating Female Spray Outlet |
| ___-17F | 1.5 GPM [5.7 L] Vandal Resistant Pressure Compensating Female Aerator |
| ___-18F | 1.5 GPM [5.7 L] Vandal Resistant Pressure Compensating Female Laminar Flow |

ZURN INDUSTRIES, INC. ♦ COMMERCIAL BRASS OPERATION ♦ 2640 SOUTH WORK STREET ♦ FALCONER NY 14733

Phone: 1-716-665-1132 ♦ Fax: 1-716-665-1135 ♦ World Wide Web: www.zurn.com

In Canada: ZURN INDUSTRIES LIMITED ♦ 3544 Nashua Drive ♦ Mississauga, Ontario L4V1L2 ♦ Phone: 905/405-8272 Fax: 905/405-1292