

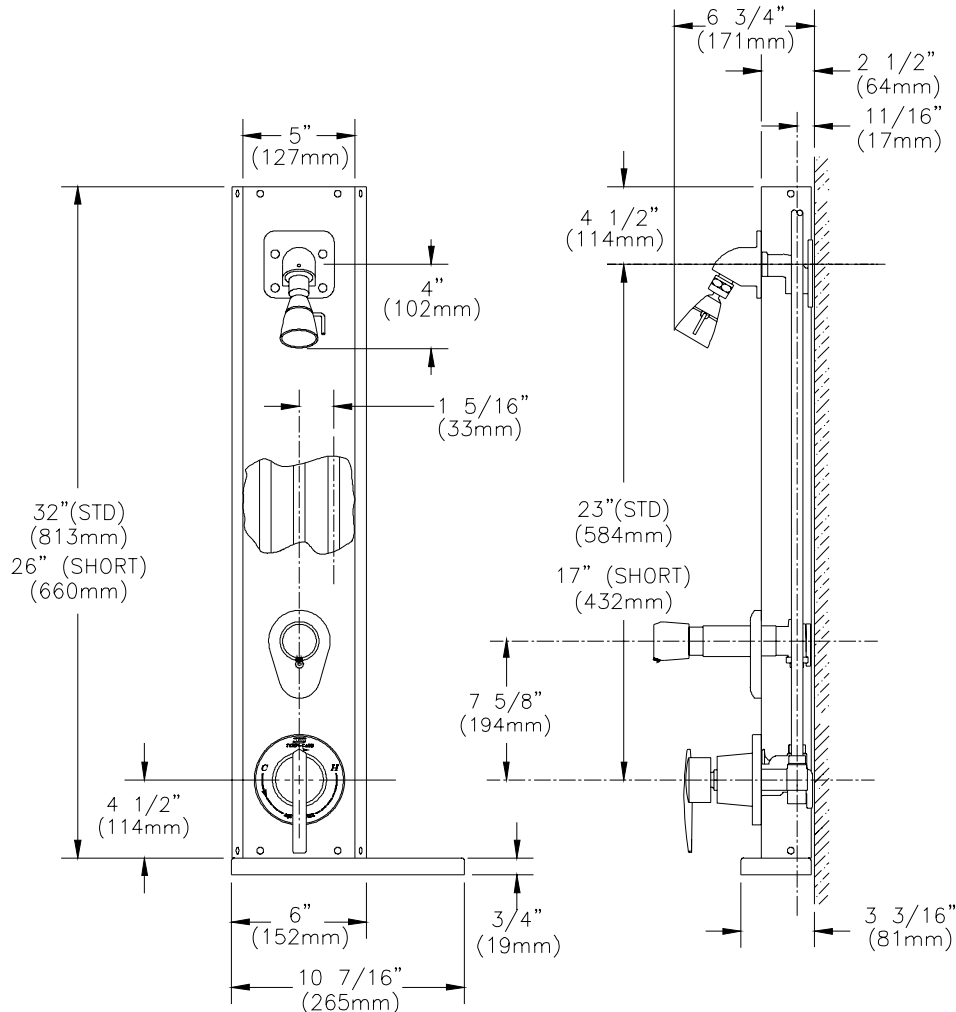


# AQUA PANEL SHOWER UNIT w/ METERING SHOWER VALVE

## Z7533

TAG \_\_\_\_\_

**ENGINEERING SPECIFICATIONS:** ZURN Z7533 Prefabricated stainless steel shower unit, consisting of the TEMP-GARD pressure balancing shower valve with single bronze stem, stainless steel balancing piston & bottom access integral service stops, with single push button on-off control, with adjustable metering feature aqua panel unit. Standard with 1/2" copper tubing assembly enclosed by 18 gage stainless steel #4 brushed finish shroud, chrome plated brass shower head with flow control on institutional bracket, metal stem handle, side mount soap dish & all vandal proof securing screws. This unit includes Z7000-SC dual spring checks on the hot and cold inlets to eliminate the chance for cross connection if the PBV were left in the open position.



Note: All dimensions are for reference only. Do not use for pre-plumbing

### OPTIONS (Check/specify appropriate options)

- i2 Fixed Spray Institutional Shower Head
- LS Less Soap Dish
- SL Short Length Shroud 26" (660mm)
- 14 14 Gage Stainless Steel Shroud
- 16 16 Gage Stainless Steel Shroud

### APPROVALS

Tested to meet the following standards for valves and plumbing fittings:  
Shower heads meet ANSI A112.18.1

ZURN INDUSTRIES, INC. ♦ COMMERCIAL BRASS OPERATION ♦ 2640 SOUTH WORK STREET ♦ FALCONER NY 14733

Phone: 1-716-665-1132 ♦ Fax: 1-716-665-1135 ♦ World Wide Web: www.zurn.com

In Canada: ZURN INDUSTRIES LIMITED ♦ 3544 Nashua Drive ♦ Mississauga, Ontario L4V1L2 ♦ Phone: 905/405-8272 Fax: 905/405-1292