



AquaSense Sensor Faucet



Suffix Options (Check/Specify Appropriate Options)

- _____ **-ADM** Above Deck Mixer
- _____ **-ADM-1** Above Deck Mixer w/4" Cover Plate
- _____ **-ADM-2** Above Deck Mixer w/8" Cover Plate
- _____ **-CP4** Cover Plate 4[102] Centers
- _____ **-CP8** Cover Plate 8[203] Centers
- _____ **-F** .5 GPM Vandal Resistant Aerator
- _____ **-GEN** Hydro Generator
- _____ **-H4** Wrist Blade Handle for ADM
- _____ **-IA3** Inlet Adaptor (3/8"[10] compression)
- _____ **-J** 1.5 GPM Laminar Flow Control
- _____ **-K** 1.0 GPM Laminar Flow Control
- _____ **-L** 1.0 GPM Vandal Resistant Aerator
- _____ **-MJ** Mini Junction Box
- _____ **-MT** Mixing Tee
- _____ **-MV** Temperature Mixing Valve
- _____ **-PB** Polished Brass PVD Finish
- _____ **-SH** Supply Hoses for Mixing Valve
- _____ **-SSH** Single Supply Hose
- _____ **-TMV** Thermostatic Mixing Valve for Multiple Faucets
- _____ **-TMV-1** Thermostatic Mixing Valve for Single Faucets
- _____ Other

Z6914 AquaSense Battery Powered Faucet

ENGINEERING SPECIFICATION: The Z6914 sensor faucet is a battery powered sensor faucet for retrofit and new construction. The faucet incorporates an infrared convergence-type proximity sensor into the chrome plated cast brass spout. The faucet is furnished complete with sensor module, spout module, in-line filter, 4 'AA' batteries, a 1.5 GPM vandal resistant aerator and an inlet for a 1/2"[13] ball riser or supply hose. Sensor range is factory set for optimum performance.

Z6914-ACA AquaSense Plug-In Powered Faucet

ENGINEERING SPECIFICATION: The Z6914-ACA sensor faucet is a plug-in powered electronic sensor faucet for retrofit and new construction. The faucet incorporates an infrared convergence-type proximity sensor into the chrome plated cast brass spout. The faucet is furnished complete with sensor module, spout module, in-line filter, a 1.5 GPM vandal resistant aerator, 6 VDC plug-in power converter and an inlet for a 1/2"[13] ball riser or supply hose. Also included are 4 'AA' batteries that provide battery backup power to the faucet during power outages. Sensor range is factory set for optimum performance.

Z6914-CWB AquaSense Hardwire Powered Faucet

ENGINEERING SPECIFICATION: The Z6914-CWB sensor faucet is a hardwired electronic sensor faucet for retrofit and new construction. The faucet incorporates an infrared convergence-type proximity sensor into the chrome plated cast brass spout. The faucet is furnished complete with sensor module, spout module, in-line filter, a 1.5 GPM vandal resistant aerator, connecting wire to power converter and an inlet for a 1/2"[13] ball riser or supply hose. Also included are 4 'AA' batteries that provide battery backup power to the faucet during power outages. Sensor range is factory set for optimum performance.

NOTE: For Hardwire applications furnish P6000-HW6 power converter. The P6000-HW6 will power up to 8 sensor faucets. Order P6000-HW6 power converter seperately.

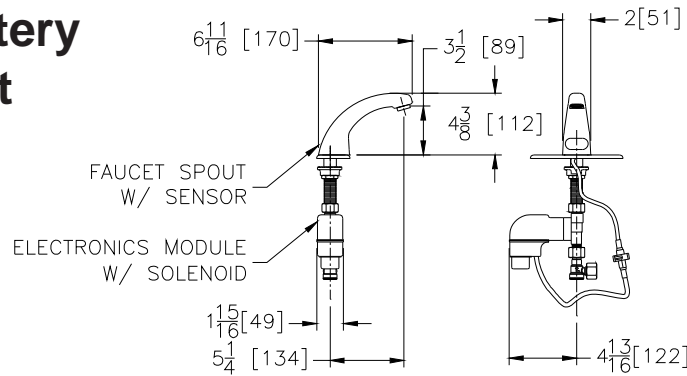
All polished brass (PVD) products come with a limited lifetime warranty on the finish.

ZURN INDUSTRIES, LLC. ♦ COMMERCIAL BRASS OPERATION ♦ 5900 ELWIN BUCHANAN DRIVE ♦ SANFORD NC 27330

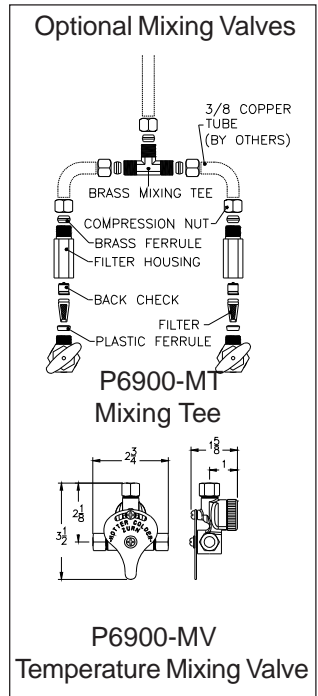
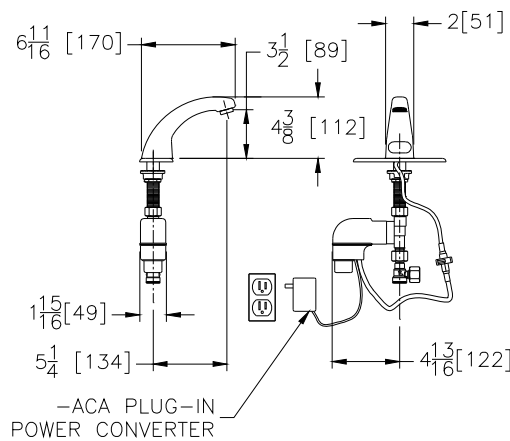
Phone: 1-800-997-3876 ♦ Fax: 919-775-3541 ♦ World Wide Web: www.zurn.com

In Canada: ZURN INDUSTRIES LIMITED ♦ 3544 Nashua Drive ♦ Mississauga, Ontario L4V1L2 ♦ Phone: 905-405-8272 Fax: 905-405-1292

TYPICAL Z6914 AquaSense Battery Powered Faucet



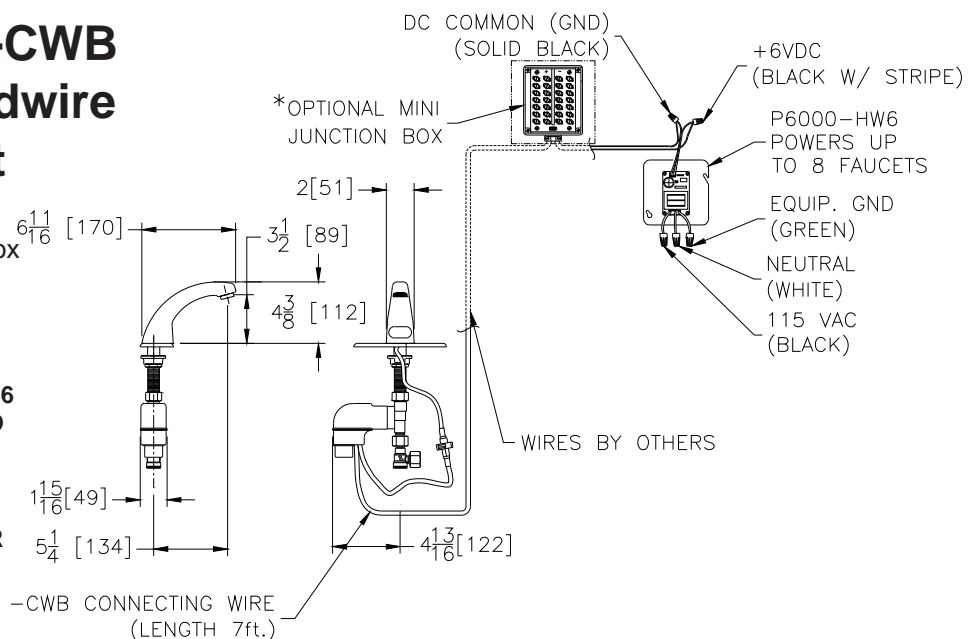
TYPICAL Z6914-ACA AquaSense Plug-In Powered Faucet



TYPICAL Z6914-CWB AquaSense Hardwire Powered Faucet

Optional:
 * Optional -MJ mini junction box for connecting up to 8 faucets

NOTE: MUST USE EITHER ZURN P6000-HW6 HARDWIRE POWER CONVERTER OR ZURN P6000-PC6 PLUG-IN POWER CONVERTER TO ENSURE PROPER OPERATION. USING A POWER CONVERTER OTHER THAN ZURN MAY RESULT IN OPERATION MALFUNCTION OR UNIT FAILURE.



ZURN INDUSTRIES, LLC. ♦ COMMERCIAL BRASS OPERATION ♦ 5900 ELWIN BUCHANAN DRIVE ♦ SANFORD NC 27330

Phone: 1-800-997-3876 ♦ Fax: 919-775-3541 ♦ World Wide Web: www.zurn.com

In Canada: ZURN INDUSTRIES LIMITED ♦ 3544 Nashua Drive ♦ Mississauga, Ontario L4V1L2 ♦ Phone: 905-405-8272 Fax: 905-405-1292