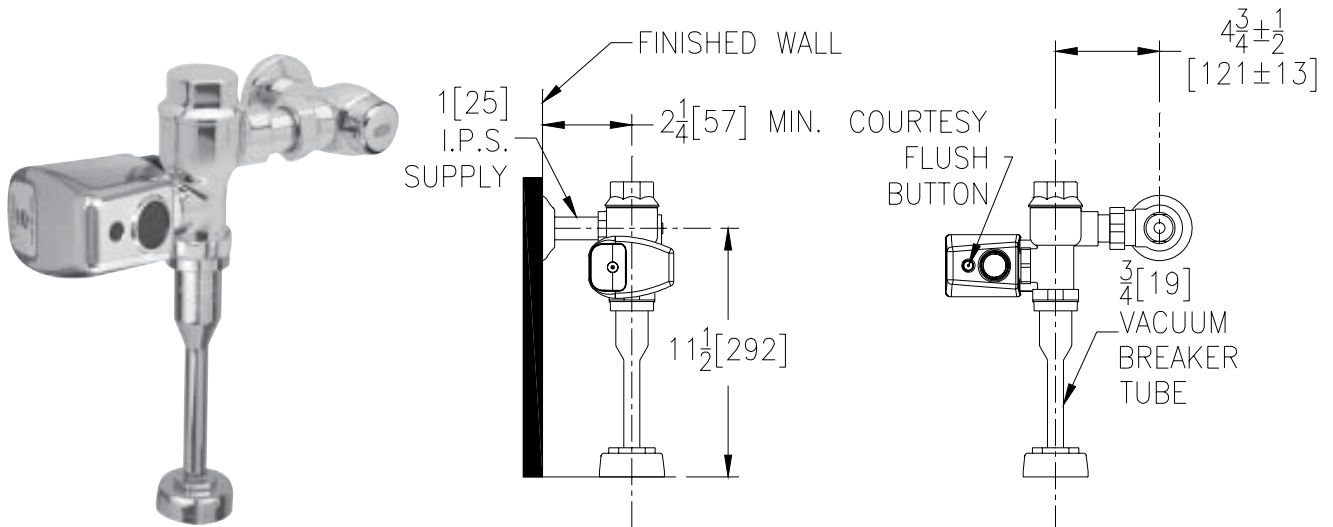


Exposed ZER6203-CPM Model

Sensor Operated Battery Powered Flush Valve Metroflush For 3/4" Urinal Valves



Flow Options

- WS1** 1.0 Gal. Low Consumption Flush
- Standard Flush** 1.5 Gallons Per Flush

ENGINEERING SPECIFICATION: ZURN ZER6203-CPM AquaSense® Metroflush Exposed Urinal Flush Valve- The Metroflush valve is a piston operated brass flush valve with a polished chrome exterior. The valve incorporates a 6VDC motor, a battery powered automatic sensor, high impact resistant polycarbonate housing and chrome plated metal cover with manual override push button and 10 degree angled sensor, high back pressure vacuum breaker, hex coupling nut and adjustable tail-piece, spud coupling and flange for top spud connection. Control stop has internal siphon-guard protection.

Suffix Options (Check/Specify Appropriate Options)

- _____ **-VC** Vandal Resistant Stop Cover
- _____ **-XYV** Less Vacuum Breaker
- _____ **-YB** Sweat Solder Kit
- _____ **-YC** Cast Wall Flange
- _____ **-YJ** Split Ring Pipe Support
- _____ **-YK** Solid Ring Pipe Support
- _____ **-YO** Bumper On Angle Stop
- _____ Other

This space is for Architectural/engineering Approval