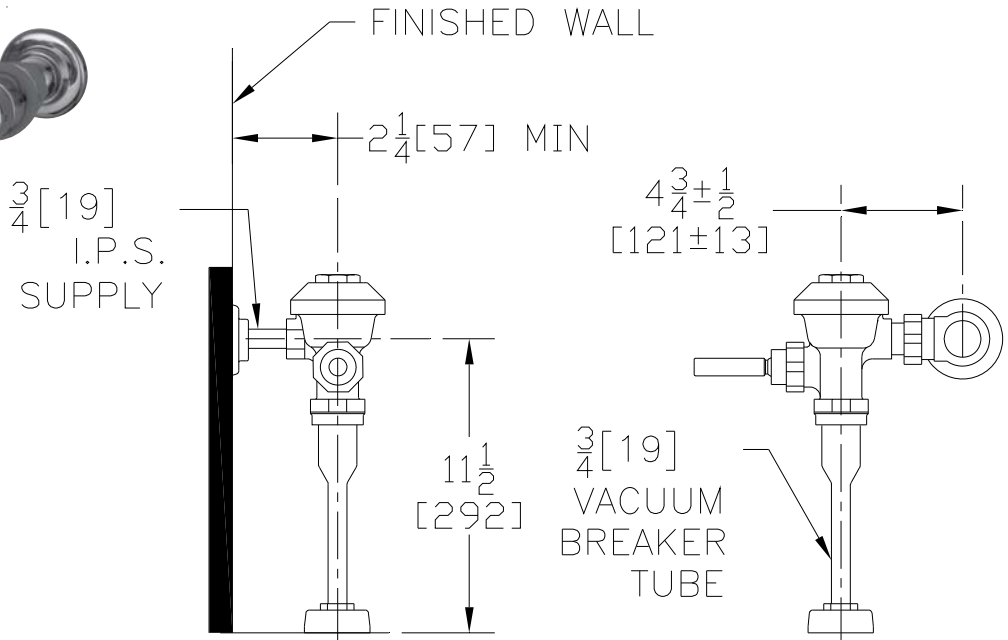




# Z6003AV-ULF

## 0.125 GPF High Efficiency Valve for use with 0.125 GPF Ultra Low Flow 3/4" Urinals



### Suffix Options (Check/Specify Appropriate Options)

- \_\_\_\_\_ -BG BioCare Handle
- \_\_\_\_\_ -H Handle on Front of Flush Valve
- \_\_\_\_\_ -L 1" [25] Metal Push Button
- \_\_\_\_\_ -L3 3" [76] Metal Push Button
- \_\_\_\_\_ -YJ Split Ring Pipe Support
- \_\_\_\_\_ -YK Solid Ring Pipe Support
- \_\_\_\_\_ Other

**ENGINEERING SPECIFICATION: ZURN Z6003AV-ULF AquaVantage® 'AV' Exposed Urinal Flush Valve-** Exposed, quiet diaphragm-type, chrome plated .125 GPF flushometer valve with a polished exterior. Complete with Zurn's AquaVantage® TPE, chloramine resistant, dual seal diaphragm with a clog resistant, filtered by-pass. The valve is ADA compliant with a non-hold open and no leak handle feature, high back pressure vacuum breaker, one piece hex coupling nut, adjustable tailpiece, spud coupling and flange for top spud connection. Control stop has internal siphon-guard protection, vandal resistant stop cap, sweat solder kit, and a cast wall flange with set screw. Internal seals are made of chloramine resistant materials.

This space is for Architectural/Engineering Approval

The information contained in this document is subject to change without notice.  
Please contact Zurn for most up to date information.

ZURN INDUSTRIES, LLC. ♦ COMMERCIAL BRASS OPERATION ♦ 5900 ELWIN BUCHANAN DRIVE ♦ SANFORD NC 27330

Phone: 1-800-997-3876 ♦ Fax: 919-775-3541 ♦ World Wide Web: www.zurn.com

In Canada: ZURN INDUSTRIES LIMITED ♦ 3544 Nashua Drive ♦ Mississauga, Ontario L4V1L2 ♦ Phone: 905-405-8272 Fax: 905-405-1292