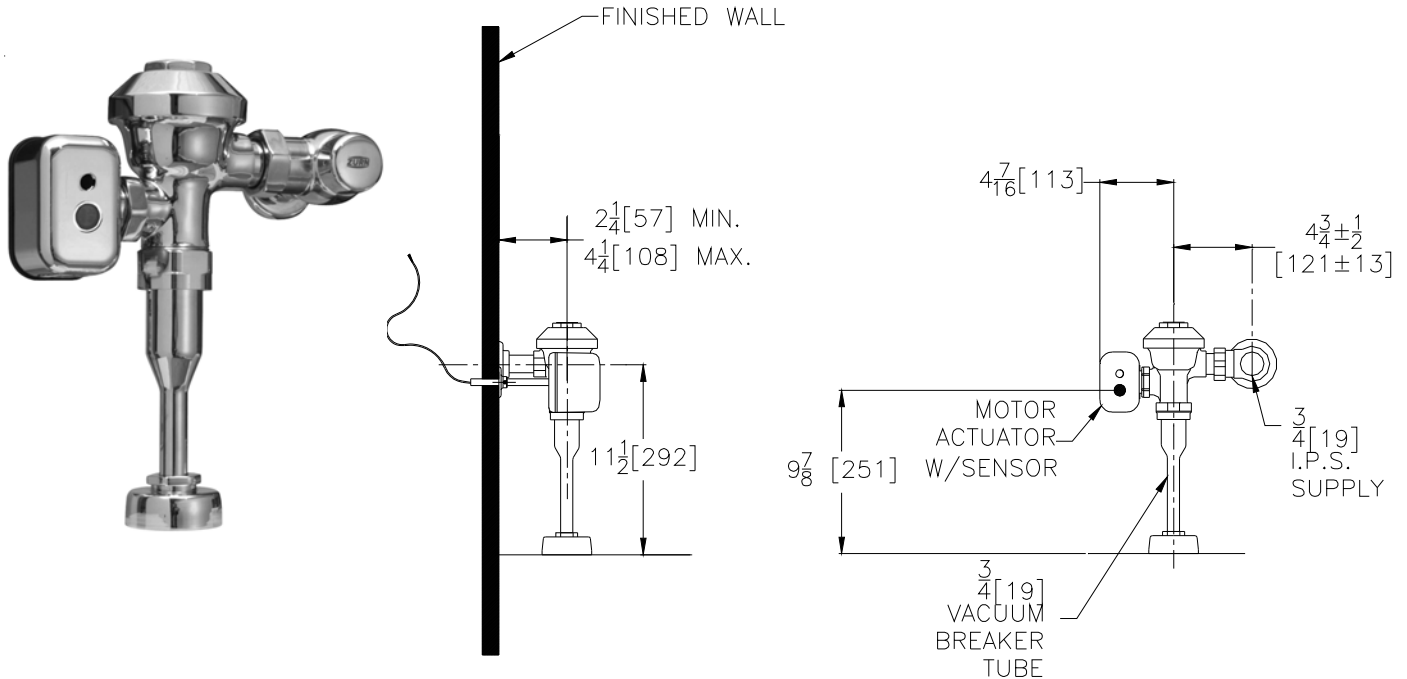




Exposed ZEMS6003AV-IS Model For 3/4" Urinals



Flow Options

- EWS** 0.5 Gallons per flush
- WS1** 1.0 Gal. Low Consumption
- Standard Flush** 1.5 Gallons Per Flush

Suffix Options (Check/Specify Appropriate Options)

- _____ **-VP** Vandal Resistant Stop Screw
- _____ **-YJ** Split Ring Pipe Support
- _____ **-YK** Solid Ring Pipe Support
- _____ Other

Accessories (Order separate as specified)

- P6000-PC6** Plug-in Power Converter (Up to 4 valves)
- P6000-MJ** Mini Junction Box
- P6000-HW6** Hardwire Power Converter (Up to 8 valves)

NOTE: MUST USE EITHER ZURN P6000-HW6 HARDWIRE POWER CONVERTER OR ZURN P6000-PC6 PLUG-IN POWER CONVERTER TO ENSURE PROPER OPERATION. USING A POWER CONVERTER OTHER THAN ZURN MAY RESULT IN OPERATION MALFUNCTION OR UNIT FAILURE.

ENGINEERING SPECIFICATION: ZURN ZEMS6003AV-IS AquaSense® 'AV' Exposed Hardwired Automatic Sensor Flush Valve For 3/4" Urinals- Exposed, quiet diaphragm-type, chrome plated, flushometer valve with a polished exterior. Complete with Zurn's AquaVantage TPE, chloramine resistant, dual seal diaphragm with a clog resistant, triple filtered by-pass. The valve incorporates a motorized actuator, an integral infrared convergence-type proximity sensor and a manual push-button override into an all-metal, polished chrome plated housing. The valve is complete with high back pressure vacuum breaker, one piece hex coupling nut, adjustable tail-piece, spud coupling and flange for top spud connection. Control stop has internal siphon-guard protection, vandal resistant stop cap, sweat solder kit, and a cast wall flange with set screw. Internal seals are made of chloramine resistant materials.

This space is for Architectural/engineering Approval

The information contained in this document is subject to change without notice. Please contact Zurn for most up to date information.