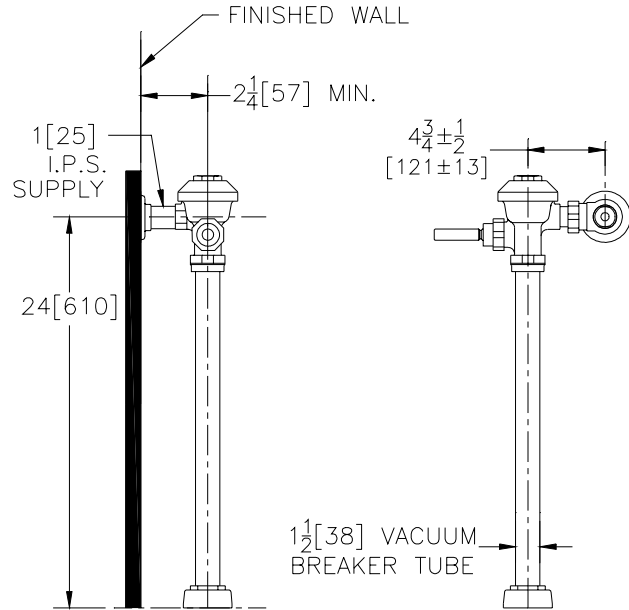




## Exposed Z6000-2 Model for Water Closets



### Flow Options

- |                          |                       |                          |
|--------------------------|-----------------------|--------------------------|
| <input type="checkbox"/> | <b>-WS1</b>           | 1.6 Gal. Low Consumption |
| <input type="checkbox"/> | <b>-FF</b>            | 4.5 Gal. Full Flush      |
| <input type="checkbox"/> | <b>Standard Flush</b> | 3.5 Gallons Per Flush    |

### Suffix Options (Check/Specify Appropriate Options)

- |       |            |                                |
|-------|------------|--------------------------------|
| _____ | <b>-BG</b> | BioCare ADA Handle             |
| _____ | <b>-H</b>  | Handle on Front of Flush Valve |
| _____ | <b>-L</b>  | 1" [25] Metal Push Button      |
| _____ | <b>-L3</b> | 3" [76] Metal Push Button      |
| _____ | <b>-VC</b> | Vandal Resistant Stop Cover    |
| _____ | <b>-YB</b> | Sweat Solder Kit               |
| _____ | <b>-YC</b> | Cast Wall Flange               |
| _____ | <b>-YJ</b> | Split Ring Pipe Support        |
| _____ | <b>-YK</b> | Solid Ring Pipe Support        |
| _____ |            | Other                          |

**ENGINEERING SPECIFICATION: ZURN Z6000-2 Aquaflush Exposed Closet Flush Valve** - The Aquaflush valve is a quiet diaphragm-type, chrome plated, flushometer valve with a chemical resistant, dual seal diaphragm with a clog resistant by-pass. The valve is ADA compliant with a non-hold-open and no leak handle feature, high back pressure vacuum breaker, hex coupling nut and adjustable tailpiece, spud coupling and flange for top spud connection. Control stop has internal siphon-guard protection.

- Z6000PL-2 -Aquaflush Plus** is furnished complete with sweat solder kit, vandal resistant stop cap, and cast wall flange.

This space is for Architectural/engineering Approval