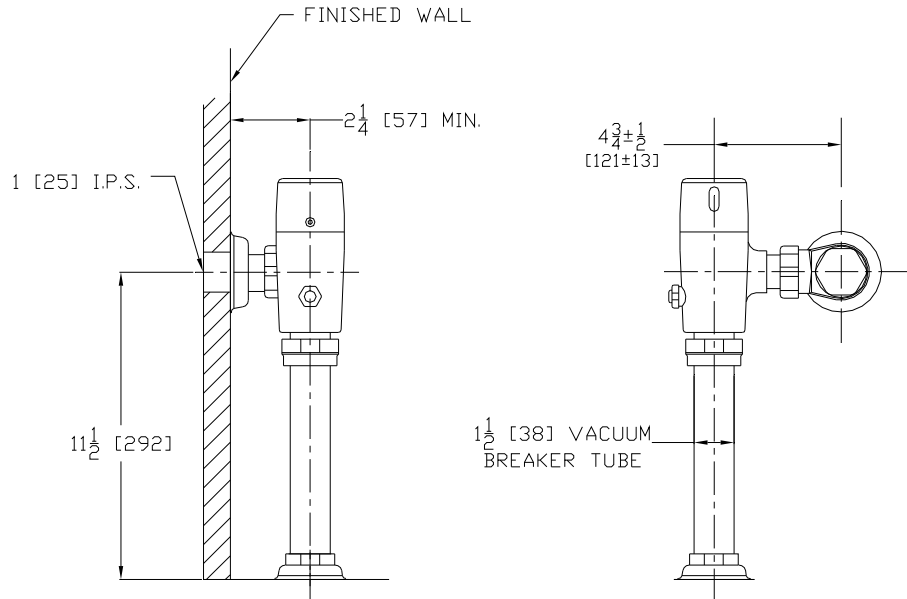


# ZTS6200EV

## 1.28 GPF Sensor Operated Water Closet Flush Valve



### Accessories

- RC Remote Control for Sensor Adjustment
- YJ Split Ring Pipe Support
- YK Solid Ring Pipe Support
- YO Bumper on Angle Stop
- \_\_\_\_\_ Other

**NOTE: Performance guaranteed with Zurn Ecovantage fixtures. Please consult Zurn Technical Services at 1-800-997-3876 to discuss the paired performance of this valve with other manufacturers fixtures.**

Architectural/Engineering Approval

ZURN INDUSTRIES, LLC. ♦ COMMERCIAL BRASS OPERATION  
 5900 ELWIN BUCHANAN DRIVE ♦ SANFORD NC 27330  
 Phone: 1-800-997-3876 ♦ Fax: 919-775-3541  
 www.zurn.com  
 In Canada: ZURN INDUSTRIES LIMITED  
 3544 Nashua Drive ♦ Mississauga, Ontario L4V1L2  
 Phone: 905-405-8272 Fax: 905-405-1292

### ENGINEERING SPECIFICATIONS

Exposed chrome plated flushometer valve with a polished exterior.

- Zurn's AquaVantage® TPE diaphragm
  - Clog Resistant Triple filtered by-pass
  - Chloramine resistant
  - Dual seal
- Proprietary DR resistant low lead brass alloy
- Actuator
  - Sensor powered by 9VDC battery
  - 4 year battery life on 50,000 activations per year
  - Sensor range adjustable by remote
- Control Stop
  - Internal siphon-guard protection
  - Vandal resistant stop cap
  - Sweat solder kit
  - Cast wall flange with set screw
- Vacuum Breaker
  - High back pressure
  - One piece hex coupling nut
- Internal seals
  - Chloramine resistant
- Adjustable tailpiece
- Spud coupling and flange for top spud connection

The information contained in this document is subject to change without notice.  
 Please contact Zurn for most up to date information.