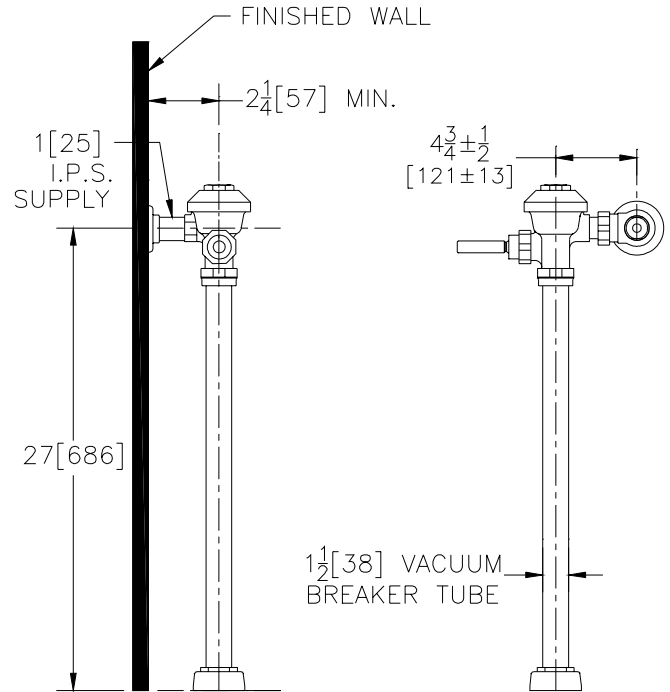




Exposed Z6000-3 Model for Water Closets



Flow Options

- WS1** 1.6 Gal. Low Consumption
- FF** 4.5 Gal. Full Flush
- Standard Flush** 3.5 Gallons Per Flush

Suffix Options (Check/Specify Appropriate Options)

- _____ **-BG** BioCareADA Handle
- _____ **-H** Handle on Front of Flush Valve
- _____ **-L** 1" [25] Metal Push Button
- _____ **-L3** 3" [76] Metal Push Button
- _____ **-VC** Vandal Resistant Stop Cover
- _____ **-YB** Sweat Solder Kit
- _____ **-YC** Cast Wall Flange
- _____ **-YJ** Split Ring Pipe Support
- _____ **-YK** Solid Ring Pipe Support
- _____ Other

ENGINEERING SPECIFICATION: ZURN Z6000-3 Aquaflush Exposed Closet Flush Valve - The Aquaflush valve is a quiet diaphragm-type, chrome plated, flushometer valve with a chemical resistant, dual seal diaphragm with a clog resistant by-pass. The valve is ADA compliant with a non-hold-open and no leak handle feature, high back pressure vacuum breaker, hex coupling nut and adjustable tailpiece, spud coupling and flange for top spud connection. Control stop has internal siphon-guard protection.

- Z6000PL-3 - Aquaflush Plus** is furnished complete with sweat solder kit, vandal resistant stop cap, and cast wall flange.

This space is for Architectural/engineering Approval