

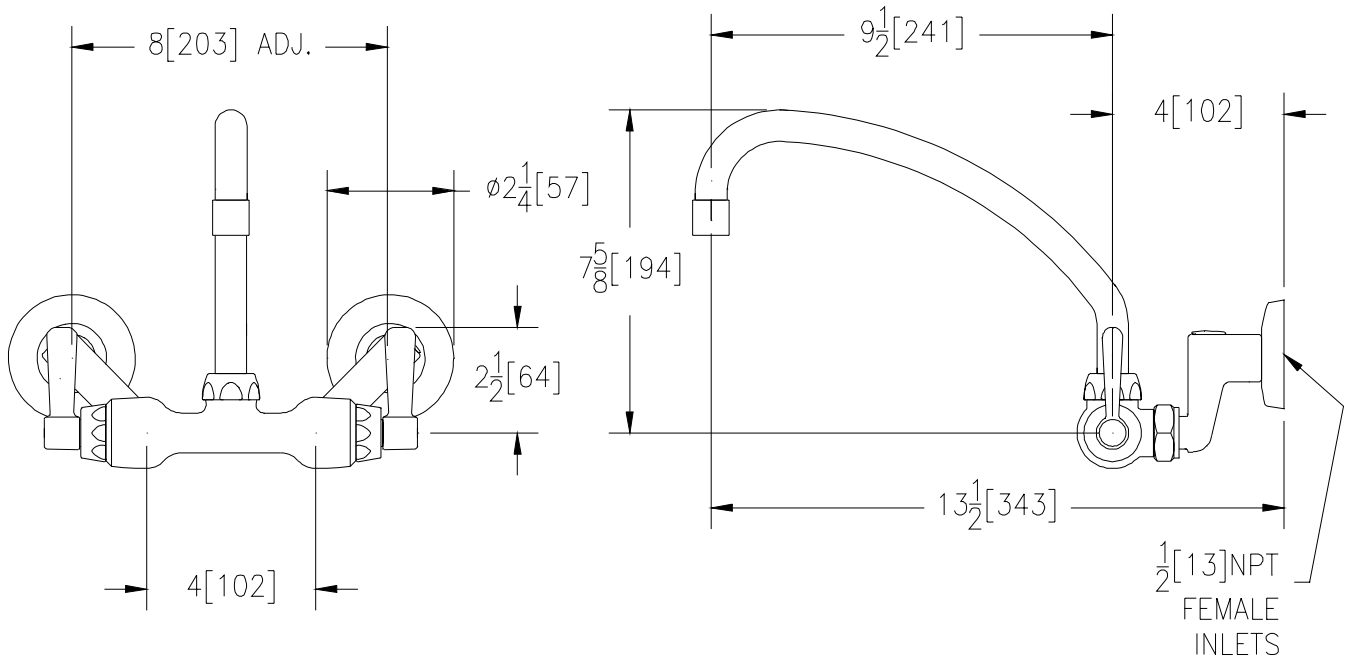


# SERVICE SINK FAUCET Z841J1

TAG \_\_\_\_\_

### Engineering Specifications: Zurn AquaSpec® Z841J1

Polished chrome-plated cast brass service sink faucet with quarter turn ceramic disc cartridges, 2-1/2" [64mm] long swivel inlets (with integral stops) providing adjustable centers from 4" [102mm] to 8-3/8" [213mm] and a 9-1/2" [241mm] tubular brass swing spout with a 2.0 GPM [7.6 L] variable orifice aerator (complying with ANSI A112.18.1 Standard for flow). Unit is provided with 2-1/2" [64mm] vandal-resistant color-coded brass lever handles.



Note: All dimensions are for reference only. Do not use for pre-plumbing

### OPTIONAL ACCESSORIES

Suffix	Description
—RC	Rough Chrome Plated
—SSI	3/8" [10mm] Short Swivel Inlets
—2F	2.0 GPM [7.6 L] Vandal-Resistant Female Aerator
—3F	0.5 GPM [1.9 L] Vandal-Resistant Female Aerator
—4F	2.0 GPM [7.6 L] Vandal-Resistant Female Laminar Flow

ZURN INDUSTRIES, INC. ♦ COMMERCIAL BRASS OPERATION ♦ 2640 SOUTH WORK STREET ♦ FALCONER NY 14733

Phone: 1-716-665-1132 ♦ Fax: 1-716-665-1135 ♦ World Wide Web: www.zurn.com

In Canada: ZURN INDUSTRIES LIMITED ♦ 3544 Nashua Drive ♦ Mississauga, Ontario L4V1L2 ♦ Phone: 905/405-8272 Fax: 905/405-1292