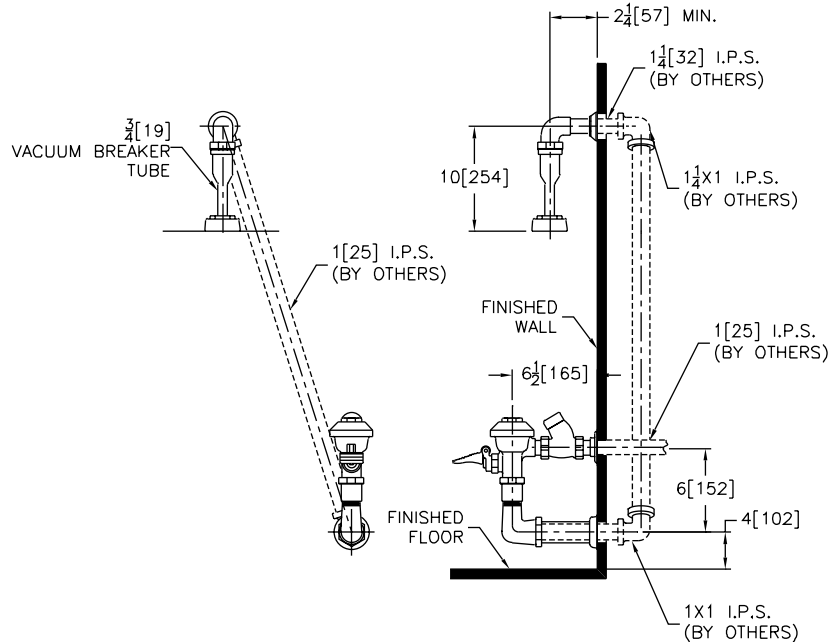




# Exposed Z6320AV Model For 3/4" Urinal Valves with Foot Pedal Actuation



### Flow Options

- WS1** 1.0 Gal. Low Consumption Flush
- Standard Flush** 1.5 Gallons Per Flush

### Suffix Options (Check/Specify Appropriate Options)

- \_\_\_\_\_ **-YJ** Split Ring Pipe Support
- \_\_\_\_\_ **-YK** Solid Ring Pipe Support
- \_\_\_\_\_ Other

**ENGINEERING SPECIFICATION: ZURN Z6320AV AquaVantage™ 'AV' Exposed Urinal Valve with Foot Pedal Actuation** – Exposed, quiet diaphragm-type, chrome plated, flushometer valve with a polished exterior. Complete with Zurn's AquaVantage TPE, chloramine resistant, dual seal diaphragm with a clog resistant, triple filtered by-pass. The valve is complete with a non-hold open foot pedal actuator assembly, high back pressure vacuum breaker, one piece hex coupling nut, adjustable tailpiece, spud coupling and flange for top spud connection. Control stop has internal siphon-guard protection, vandal resistant stop cap, sweat solder kit, and a cast wall flange with set screw. Internal seals are made of chloramine resistant materials.

This space is for Architectural/Engineering Approval

ZURN PLUMBING PRODUCTS GROUP COMMERCIAL BRASS OPERATION, 5900 ELWIN BUCHANAN DRIVE, SANFORD, NC 27330

PHONE: 1-800-997-3876, FAX: 919-775-3541, WEBSITE: www.zurn.com

IN CANADA: ZURN INDUSTRIES LIMITED 3544 NASHUA DRIVE, MISSISSAUGA, ONTARIO L4V1L2, PHONE: 905-405-8272, FAX: 905-405-1292