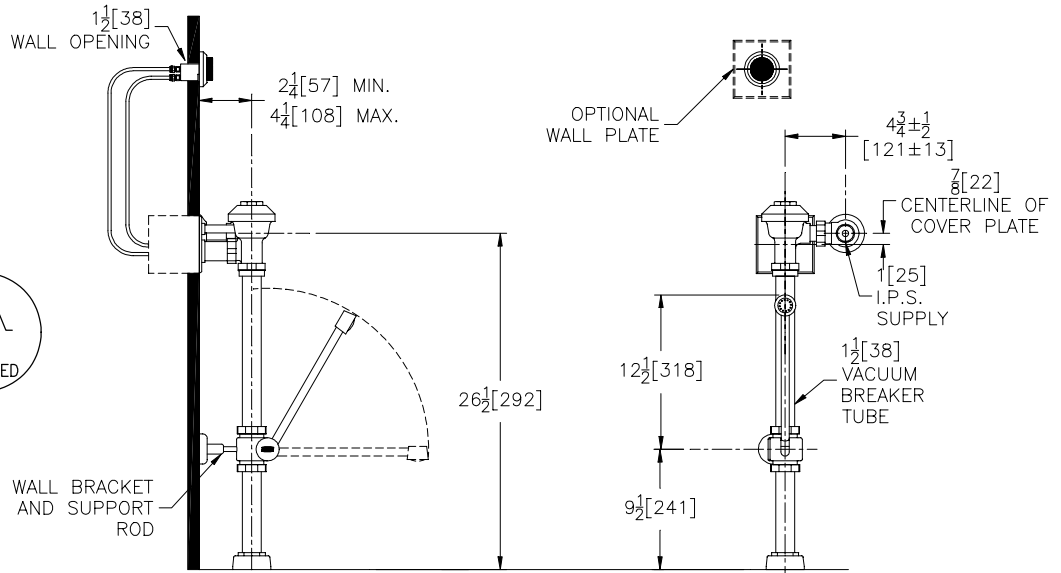




## Exposed ZH6000AV-BWN Model with Hydraulic Actuator and Bedpan Washer for Water Closets



Flow Options

- |                          |                |                          |
|--------------------------|----------------|--------------------------|
| <input type="checkbox"/> | -WS1           | 1.6 Gal. Low Consumption |
| <input type="checkbox"/> | -FF            | 4.5 Gal. Full Flush      |
| <input type="checkbox"/> | Standard Flush | 3.5 Gallons Per Flush    |

Suffix Options (Check/Specify Appropriate Options)

- |       |     |                                      |
|-------|-----|--------------------------------------|
| _____ | -SW | Side Wall Mounted Hydraulic Actuator |
| _____ | -WP | Wall Plate for Push Button (ZP-50)   |
| _____ | -YH | One Wall Bumper                      |
| _____ | -YJ | Split Ring Pipe Support              |
| _____ | -YK | Solid Ring Pipe Support              |
| _____ |     | Other                                |

ENGINEERING SPECIFICATION: ZURN ZH6000AV-BWN AquaVantage® 'AV' Exposed Closet Flush Valve with Hydraulic Actuator and Bedpan Washer- Exposed, quiet diaphragm-type, chrome plated, flushometer valve with a polished exterior. Complete with Zurn's AquaVantage® TPE, chloramine resistant, dual seal diaphragm with a clog resistant, triple filtered by-pass. Valve is complete with a non-hold open and no leak push button actuation feature, bedpan washer assembly, wall bracket and support rod, high back pressure vacuum breaker, one piece hex coupling nut, adjustable tailpiece, spud coupling and flange for top spud connection. Control stop has internal siphon-guard protection, vandal resistant stop cap, sweat solder kit, and a cast wall flange with set screw. Internal seals are made of chloramine resistant materials.

This space is for Architectural/engineering Approval