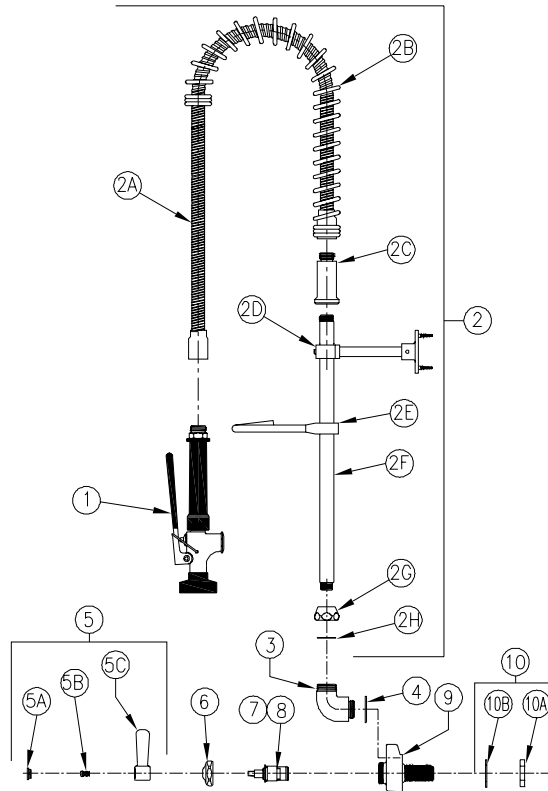


PRE-RINSE

Z812X1-TWM Parts List



Item	Part Number	Description	Qty.
1	Z80000-PR1	Pre-rinse Unit	1
2	Z800X0-PSH	X Spout Riser Support Assembly	1
2A	61704036	Stainless Steel Hose	1
2B	61896001	Spring	1
2C	61700002	Riser Adaptor Outlet	1
2D	Z80000-RS	Pre-rinse Pipe Support	1
2E	Z80000-PSH	Hook and Screw	1
2F	61917023	Riser Tube	1
2G	61699001	Adaptor, Riser Inlet	1
2H	69974001	Gasket	1
3	60901004	Elbow	1
4	58155019	O-Ring	1
5	G60501	2-1/2" [64mm] Vandal-Resistant Metal Lever Handles	1
5A	G60500	Hot/Cold Color-Coded Indexes	1
	59454001	Hot Index	1
	59454002	Cold Index	1
5B	62464001	10-32 Screw	2
5C	59487001	Lever Handle	2
6	59440001	Handle Nut	2
7	59517001	Short Cold Cartridge	1
8	59517002	Short Hot Cartridge	1
9	60454003	4" Centerset Gooseneck Body	1
10	G66631	Mounting Hardware	1
10A	62371001	1/2-14 NPSM Mounting Nut	2
10B	69909001	S.S. Washer	2

ZURN INDUSTRIES, INC. ♦ COMMERCIAL BRASS OPERATION ♦ 2640 SOUTH WORK STREET ♦ FALCONER NY 14733

Phone: 1-716-665-1132 ♦ Fax: 1-716-665-1135 ♦ World Wide Web: www.zurn.com

In Canada: ZURN INDUSTRIES LIMITED ♦ 3544 Nashua Drive ♦ Mississauga, Ontario L4V1L2 ♦ Phone: 905/405-8272 Fax: 905/405-1292