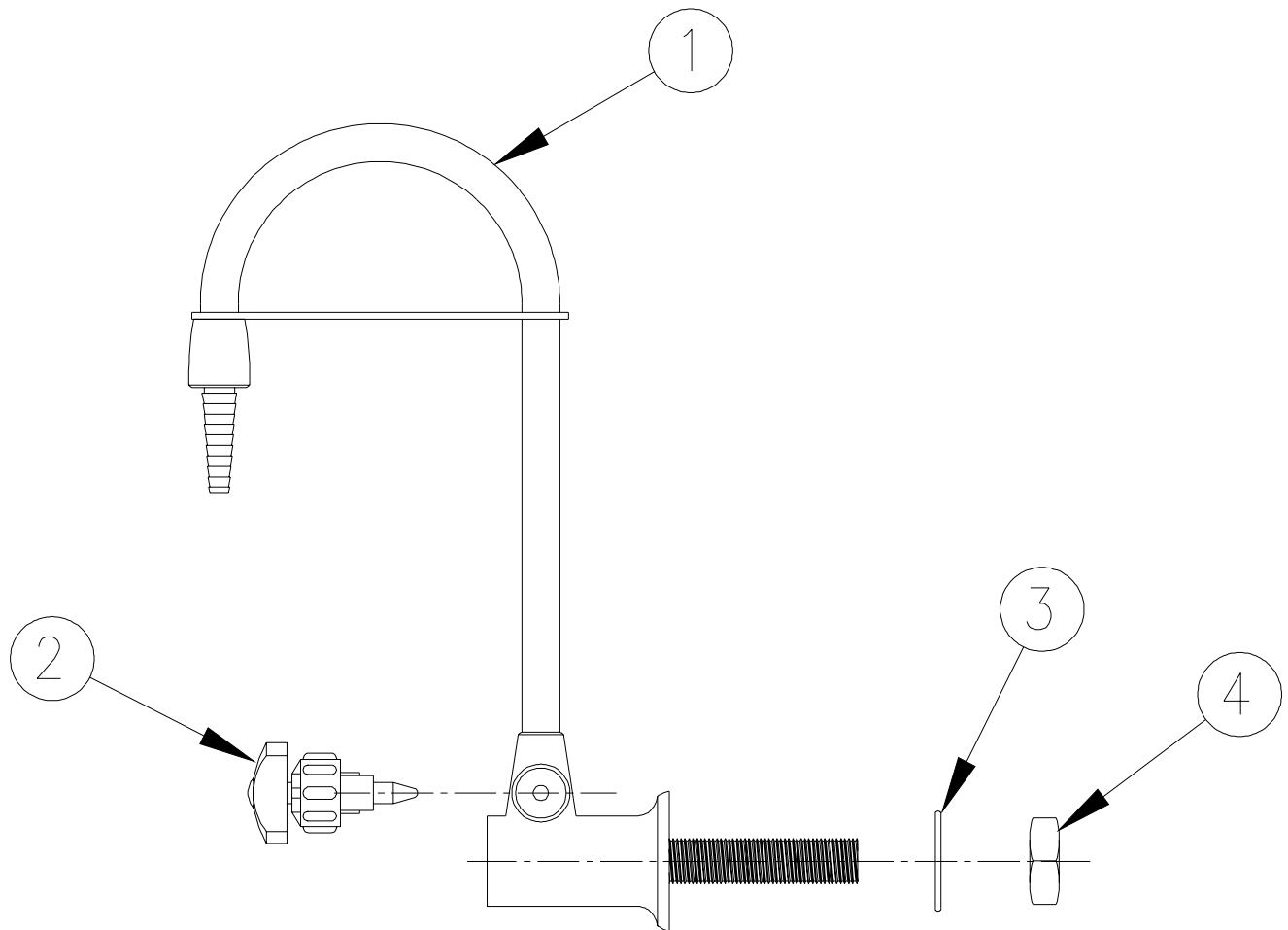


LABORATORY FAUCET - POLYPROPYLENE SINGLE



Z82900-WM Parts List



Item	Part Number	Description	Qty.
1	Z82900-WM	Faucet Assembly	1
2	G66656	Polypropylene Cartridge and Handle	1
3	N/A	O-Ring	1
4	N/A	Mounting Nut	1

ZURN INDUSTRIES, LLC ♦ COMMERCIAL BRASS OPERATION ♦ 2640 SOUTH WORK STREET ♦ FALCONER NY 14733

Phone: 1-800-997-3876 ♦ Fax: 1-919-775-3541 ♦ www.zurn.com

In Canada: ZURN INDUSTRIES LIMITED ♦ 3544 Nashua Drive ♦ Mississauga, Ontario L4V1L2 ♦ Phone: 905/405-8272 Fax: 905/405-1292