



WALL MOUNTED SINGLE SINK FAUCET

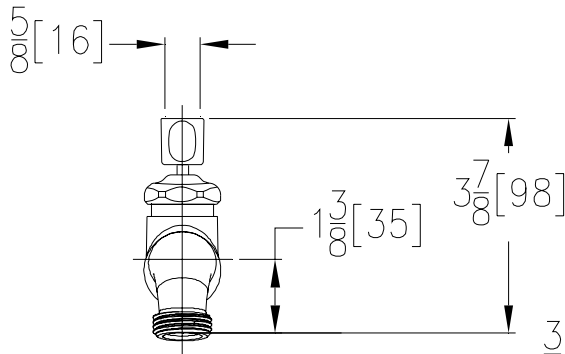
Z80701

TAG _____

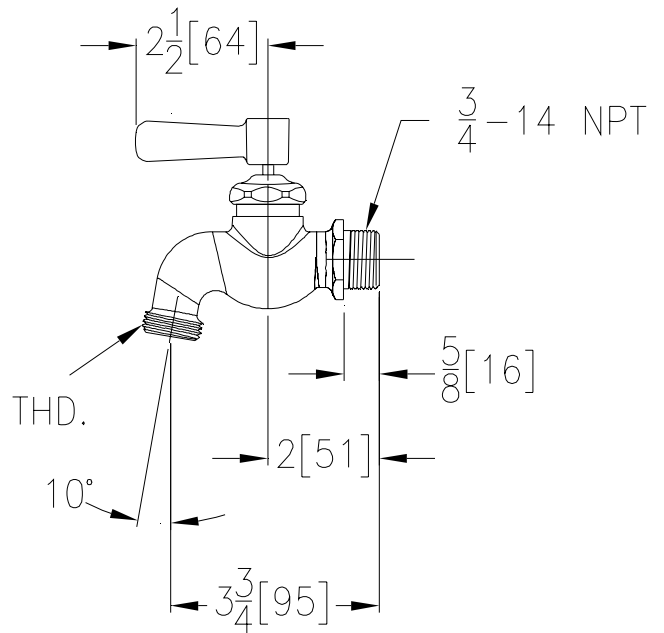


Engineering Specifications: Zurn AquaSpec® Z80701

Polished chrome plated wall mounted cast brass single sink faucet with a 3/4" NPT male inlet and a 3/4" hose threaded outlet. Unit is furnished with a 2 1/2" [64mm] vandal resistant color-coded metal lever handle.



3/4 - 11
HOSE THD.



Note: All dimensions are for reference only. Do not use for pre-plumbing

OPTIONAL ACCESSORIES

Suffix	Description
___ -HCT	Hot/Cold Text Indexes
___ -RB	Rough Brass Finish
___ -VB	Vacuum Breaker
___ -WHK	Wall Hook
___ -5H	5' [152cm] Vinyl Hose

ZURN INDUSTRIES, INC. ♦ COMMERCIAL BRASS OPERATION ♦ 2640 SOUTH WORK STREET ♦ FALCONER NY 14733

Phone: 1-716-665-1132 ♦ Fax: 1-716-665-1135 ♦ World Wide Web: www.zurn.com

In Canada: ZURN INDUSTRIES LIMITED ♦ 3544 Nashua Drive ♦ Mississauga, Ontario L4V1L2 ♦ Phone: 905/405-8272 Fax: 905/405-1292