

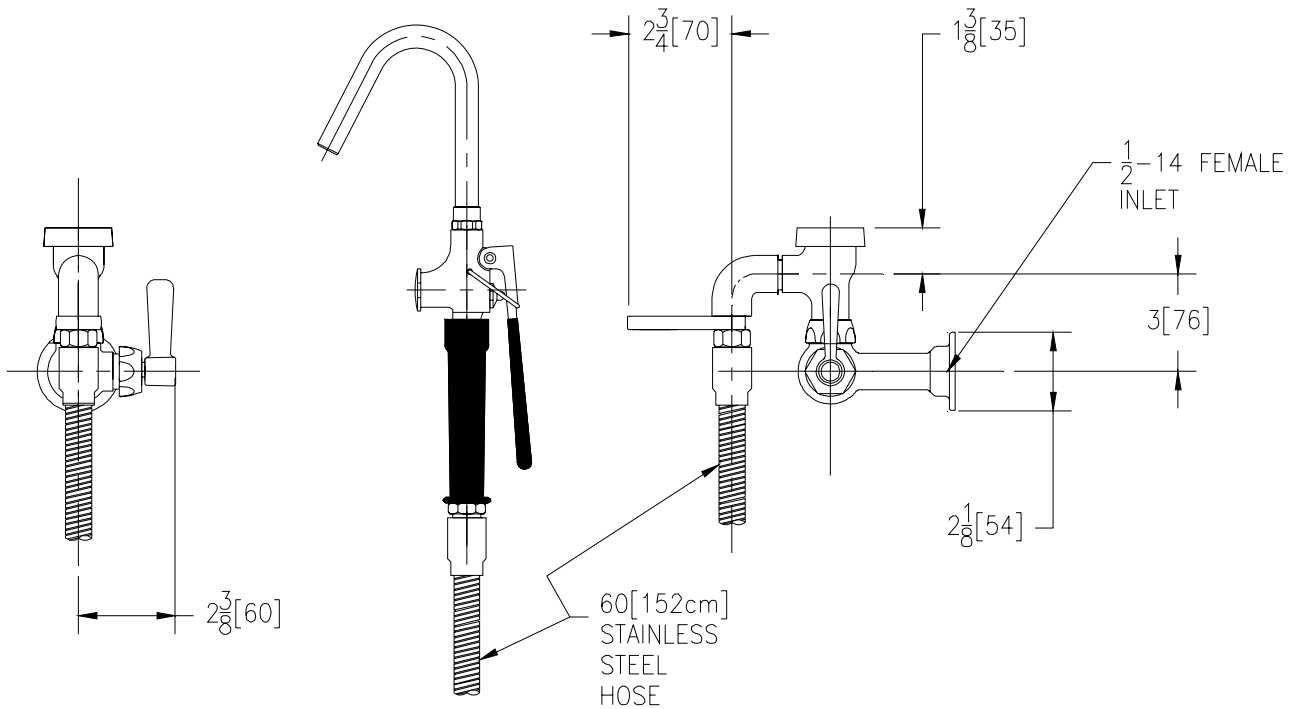


POT FILLER

Z875P1-PF1

TAG _____

Engineering Specification: Zurn AquaSpec® Z875P1-PF1 Polished chrome plated cast brass wall mounted pot filler with a quarter turn ceramic disc cartridge and a 2-1/2" [64mm] vandal resistant color-coded metal lever handle. Unit is furnished with a self-closing hand held pot filler valve with an insulated handle, a stay open clip, a 60" [152cm] stainless steel hose and a hose hook.



Note: All dimensions are for reference only. Do not use for pre-plumbing

OPTIONAL ACCESSORIES

Suffix	Description
___ -HCT	Hot/Cold Text Indexes
___ -WHK	Wall Hook

ZURN INDUSTRIES, LLC ♦ COMMERCIAL BRASS OPERATION ♦ 2640 SOUTH WORK STREET ♦ FALCONER NY 14733
 Phone: 1-716-665-1132 ♦ Fax: 1-716-665-1135 ♦ World Wide Web: www.zurn.com
 In Canada: ZURN INDUSTRIES LIMITED ♦ 3544 Nashua Drive ♦ Mississauga, Ontario L4V1L2 ♦ Phone: 905/405-8272 Fax: 905/405-1292