



WALL MOUNTED LABORATORY FITTING

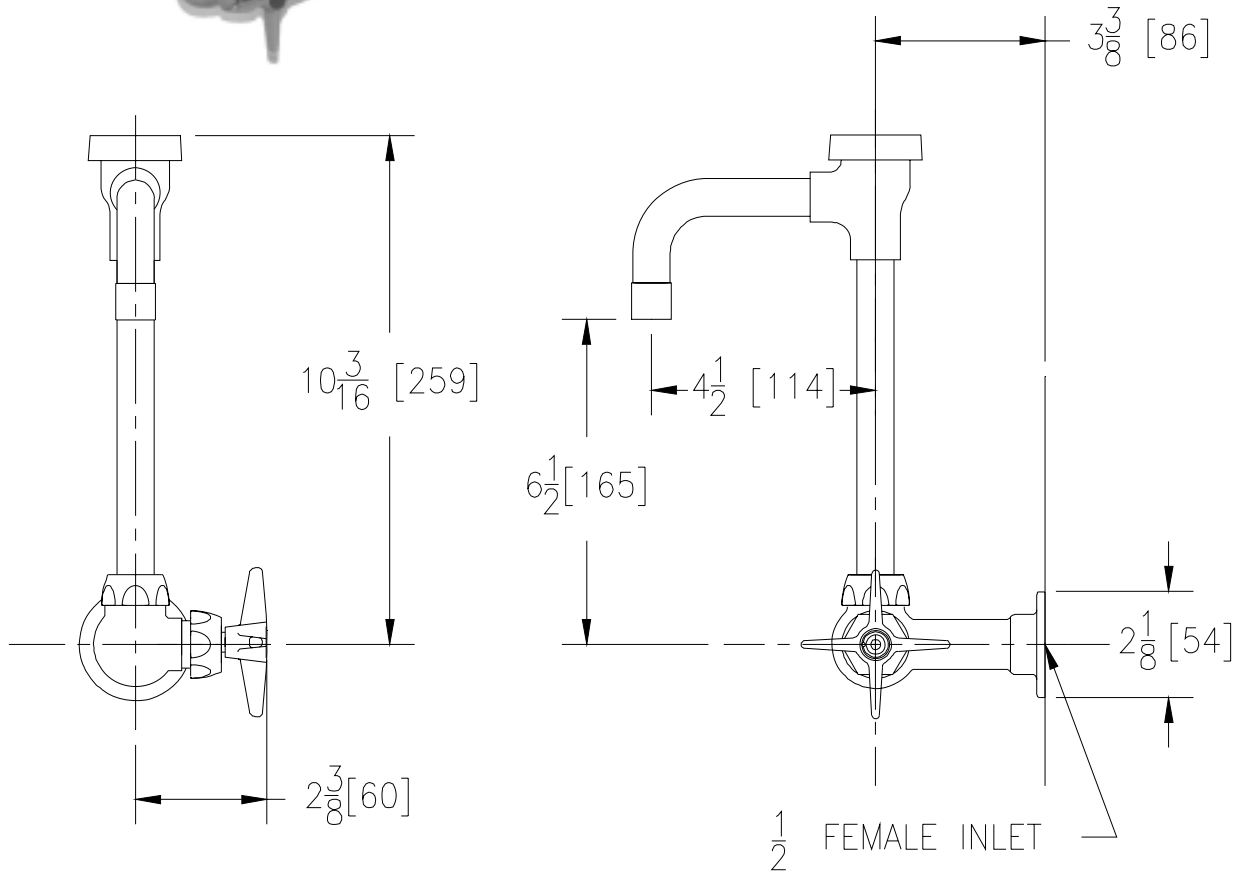
Z875T2

TAG _____



Engineering Specification: Zurn AquaSpec® Z875T2

Polished chrome-plated cast brass single wall mounted laboratory faucet with a quarter turn ceramic disc cartridge and a 4-1/2" [114mm] centerline rigid gooseneck spout with vacuum breaker. Unit is furnished with a 2.2 GPM [8.3L] pressure compensating aerator (complying with ANSI A112.18.1 Standard for flow) and a vandal-resistant color-coded four arm handle.



Note: All dimensions are for reference only. Do not use for pre-plumbing

OPTIONAL ACCESSORIES

Suffix	Description
___ -FC	2.0 GPM [7.6L] Laminar Flow Control in Base of Spout
___ -HCT	Hot/Cold Text Indexes
___ -LH	Left Hand
___ -LP	Low Profile
___ -6M	Male Serrated Nozzle Outlet

ZURN INDUSTRIES, LLC ♦ COMMERCIAL BRASS OPERATION ♦ 2640 SOUTH WORK STREET ♦ FALCONER NY 14733

Phone: 1-716-665-1132 ♦ Fax: 1-716-665-1135 ♦ World Wide Web: www.zurn.com

In Canada: ZURN INDUSTRIES LIMITED ♦ 3544 Nashua Drive ♦ Mississauga, Ontario L4V1L2 ♦ Phone: 905/405-8272 Fax: 905/405-1292