



Z1370

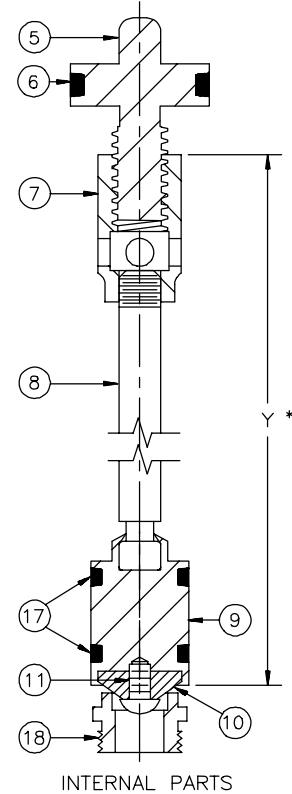
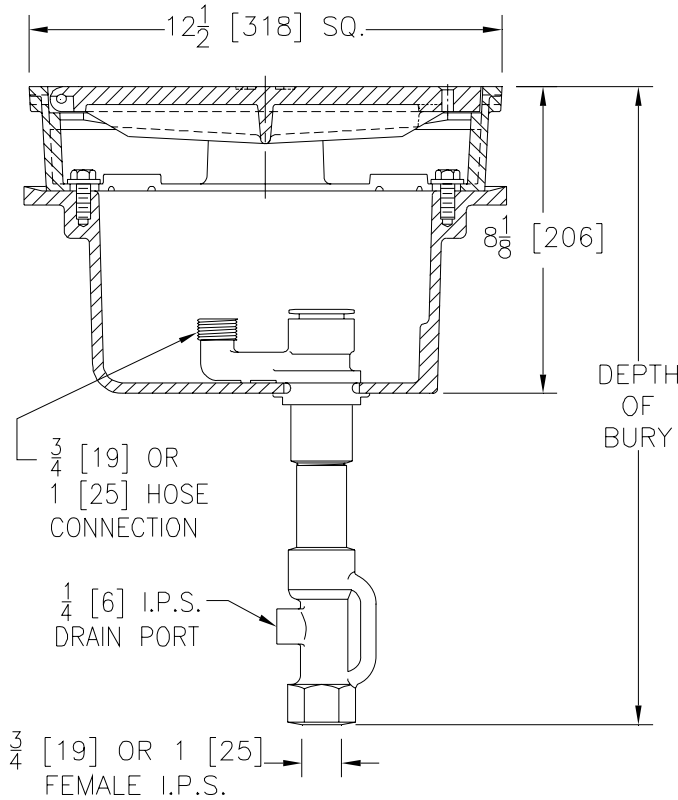
GROUND HYDRANT

Encased, Hose Storage, Non-Freeze

SPECIFICATION SHEET

TAG _____

Dimensional Data (inches and [mm]) are Subject to Manufacturing Tolerances and Change Without Notice



Depth of Bury Feet	Approx. Wt. Lbs. [kg]
2 [610]	81 [37]
3 [914]	85 [39]
4 [1219]	89 [40]
5 [1524]	93 [42]
6 [1829]	97 [44]
7 [2134]	101 [46]
8 [2438]	105 [48]
9 [2743]	109 [49]
10 [3048]	113 [51]

ENGINEERING SPECIFICATION: ZURNZ1370

Encased, non-freeze ground hydrant, for flush with grade or finished floor installation. Complete with galvanized steel casing, all bronze interior parts, bronze seat and replaceable seat washer, and non-turning operating rod with free-floating compression closure valve. Cast iron box provides hose storage and is complete with scoriated hinged cover with operating key lock. Hydrant is equipped with a tapped $\frac{1}{4}$ [6] drain port in valve housing. (Hose should always be disconnected for storage.)

Note:

- IMPORTANT** Hydrant must be opened one turn to seal drain port during use.

CONNECTION TYPE:

- $\frac{3}{4}$ [19] Hose Connection
- 1 [25] Hose Connection

PARTS LIST

Item	Name	Quan.
5	Operating Screw	1
6	O-Ring	1
7	Operating Coupling	1
8	Operating Rod	1
9	Washer Guide	1
10	Washer (neoprene)	1
11	Screw	1
17	O-Ring	2
18	Removable Seat	1

OPTIONS (Check/specify appropriate options)

SUFFIXES

- -BC Bronze Casing
- -DP12 $\frac{1}{2}$ [13] IP Drain Port in Box
- -DP14 $\frac{1}{4}$ [6] IP Drain Port in Box
- -DP38 $\frac{3}{8}$ [10] IP Drain Port in Box
- -NB Polished Nickel Bronze Face
- -PB Polished Bronze Face
- -RB Plain Bronze Face
- -RK Hydrant Parts Repair Kit
- -WR "WATER" Cast on Cover

*WHEN ORDERING REPLACEMENT PARTS SPECIFY Y DIM.

REV. G	DATE: 1/29/09	C.N. NO. 99632
DWG. NO. 58880	PRODUCT NO. Z1370	