



Z1385

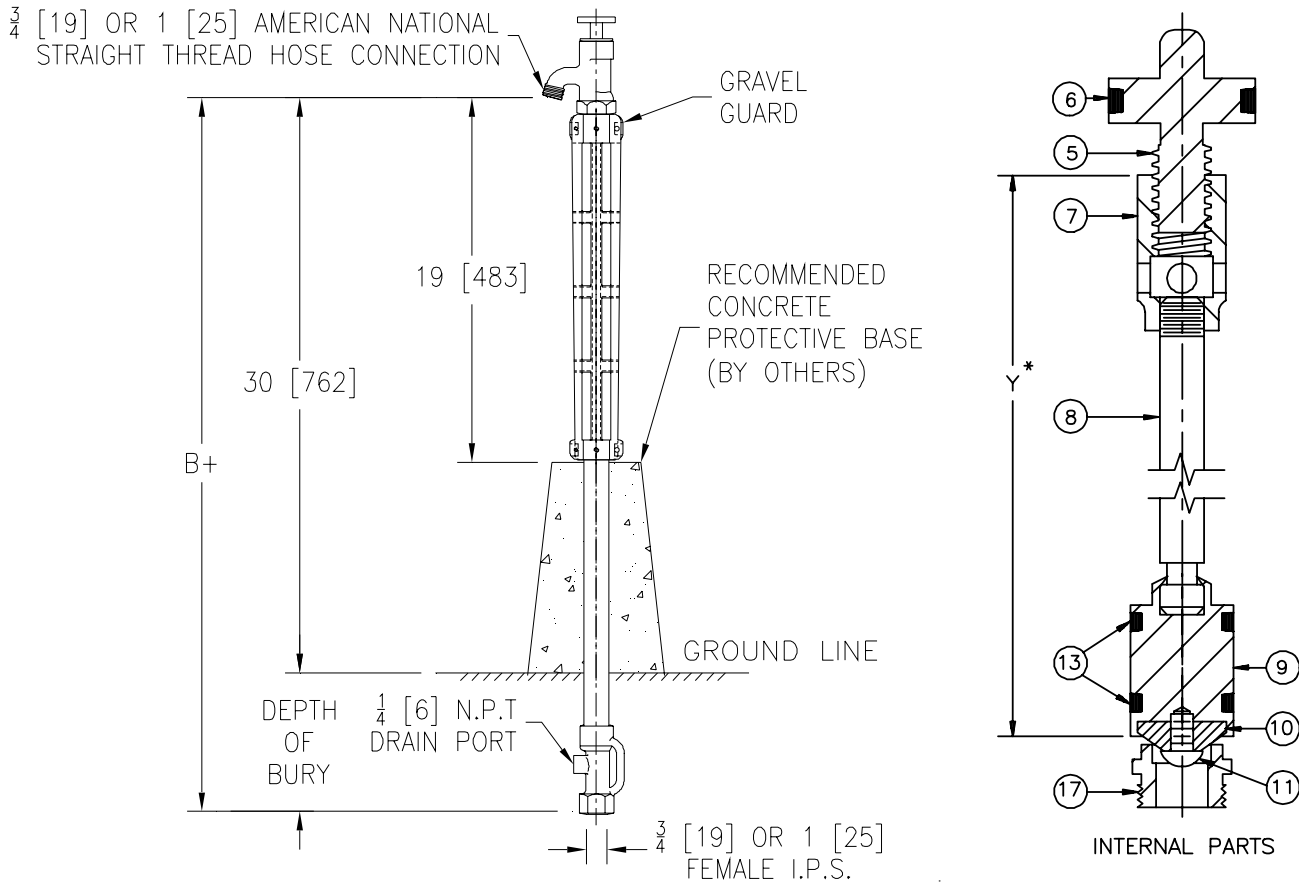
POST HYDRANT

Exposed Head, Non-Freeze

SPECIFICATION SHEET

TAG _____

Dimensional Data (inches and [mm]) are Subject to Manufacturing Tolerances and Change Without Notice



Depth of Bury Feet	B+ Dim. Feet	Approx. Wt. Lbs. [kg]
2 [610]	4 1/2 [1372]	25 [11]
3 [914]	5 1/2 [1676]	29 [13]
4 [1219]	6 1/2 [1981]	33 [15]
5 [1524]	7 1/2 [2286]	37 [17]
6 [1829]	8 1/2 [2591]	41 [19]
7 [2134]	9 1/2 [2896]	45 [20]
8 [2438]	10 1/2 [3200]	49 [22]
9 [2743]	11 1/2 [3505]	54 [24]
10 [3048]	12 1/2 [3810]	58 [26]

ENGINEERING SPECIFICATION: ZURN Z1385

Exposed, non-freeze post hydrant. Complete with galvanized steel casing and cast aluminum casing guard, all bronze interior parts, bronze seat and replaceable seat washer, and non-turning operating rod with free-floating compression closure valve with 3/4 [19] or 1 [25] connection. Operating key included. Hydrant is equipped with a tapped 1/4 [6] drain port in valve housing.

Note:

- 'B' dim. based on outlet connection 30 [762] above ground.
- IMPORTANT** Hydrant must be opened one turn to seal drain port during use.

CONNECTION TYPE:

- _____ 3/4 [19] Hose Connection
- _____ 1 [25] Hose Connection

PARTS LIST

Item	Name	Quan.
5	Operating Screw	1
6	O-Ring	1
7	Operating Coupling	1
8	Operating Rod	1
9	Washer Guide	1
10	Washer (neoprene)	1
11	Screw	1
13	O-Ring	2
17	Removable Seat	1

OPTIONS (Check/specify appropriate options)

SUFFIXES

- _____ -BC Bronze Casing
- _____ -RK Hydrant Parts Repair Kit
- _____ -VB 3/4 [19] Adapter Vacuum Breaker
- _____ -WH Wheel Handle

REV. G	DATE: 1/29/09	C.N. NO. 99633
DWG. NO. 58882	PRODUCT NO. Z1385	

*WHEN ORDERING REPLACEMENT PARTS SPECIFY Y DIM.