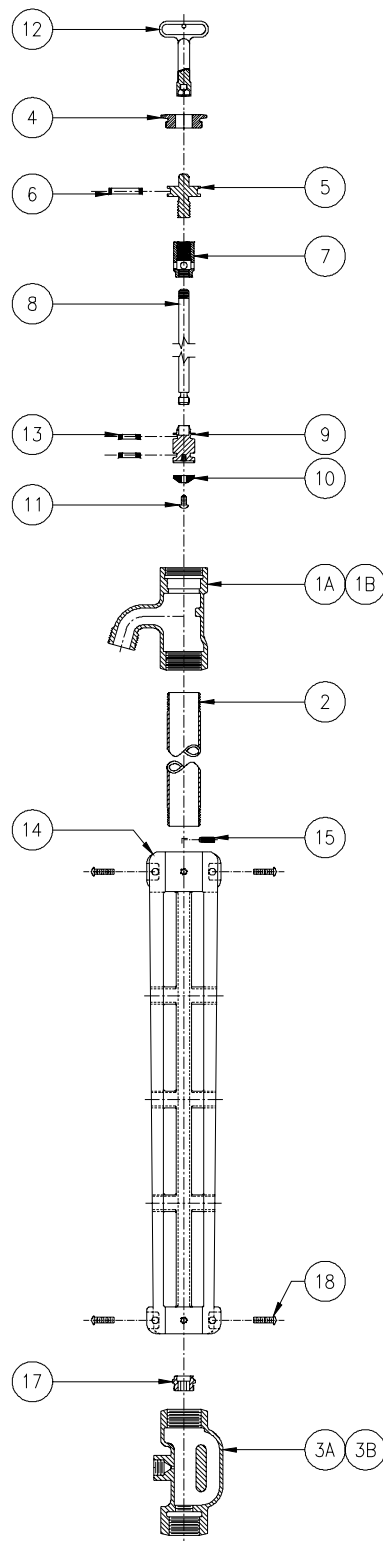
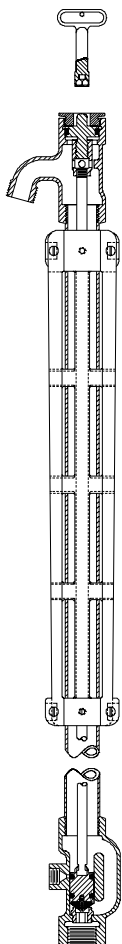


# Z1391

## POST HYDRANT ASSEMBLY



### LIST OF MATERIAL

IT.	QTY	PART NO.	DESCRIPTION
1A	1	25325-001	HEAD 3/4" HOSE CONN.
1B	1	25326-001	HEAD 1" HOSE CONN.
2	1	50270-XXX	CASING
3A	1	25324-003	VALVE HOUSING 3/4" FEMALE NPT INLET
3B	1	25324-004	VALVE HOUSING 1" FEMALE NPT INLET
4	1	22156-002	FACE NUT
*	5	25049-001	OPERATING SCREW
*	6	23750-028	O-RING
*	7	25147-001	OPERATING COUPLING
8	1	25328-XXX	OPERATING ROD
9	1	25323-001	WASHER GUIDE
*	10	23075-001	WASHER
*	11	14853-042	SCREW #10-24 N.C.
*	12	59546-001	KEY
*	13	23750-036	O-RING
14	2	31769-002	CASING GUARD
15	2	18006-045	CASING GUARD SET SCREW
*	17	25262-001	REMOVABLE SEAT
18	4	14853-044	SCREW #10-24 N.C.

Form # LC8

Date: 5/26/09

C.N. No. 120026

Rev.